

Form 2073w
January, 1930
PRINTED IN U. S. A.

LIST
OF
PARTS



MACHINE No. 71-53

THE SINGER MANUFACTURING COMPANY

From the library of: Diamond Needle Corp

COPYRIGHT, U. S. A.,
1916, 1917, 1923, 1926, 1929 AND 1930
BY THE SINGER MANUFACTURING COMPANY
ALL RIGHTS RESERVED FOR ALL COUNTRIES

INDEX

	PAGE
ACCESSORIES	25
BOBBIN WINDER	25
CLAMP LIFTING LEVER	27
IRON BASE	26
KNIFE GRINDER	29
MACHINE NO. 71-53	7
MISCELLANEOUS PARTS	30
NUMERICAL LIST OF PARTS	31
TABLE BELT GUIDES	27
THREAD UNWINDER	27
TREADLE	28

From the library of: Diamond Needle Corp

Instructions for Ordering

In ordering from this list, use **ONLY** the **PART** number in the **FIRST** column.

The number stamped on a Sewing Machine Part is the number of the Single Part only, except when the part includes Set Screws, Clamping Screws, Studs and Rollers Spun on, Small Wires riveted, or Parts soldered together, etc., which it is necessary to furnish in combination.

Every combination of parts sent out has its specific number which, although not stamped on Parts (except in above cases) must be used when ordering the combination.

Each number always indicates the **SAME PART** in whatever list it appears, or for whatever Machine.

The letters after some of the numbers indicate the style of finish only, as follows:

- A. Hardened, Polished and Plated.
- B. Polished and Plated.
- C. Hardened only.
- D. Polished only.
- E. Soft, not polished.
- F. Hardened and Polished.
- H. Blued.

These letters **MUST BE USED** when they appear in the list and **AFTER** the number, as in the list.

In this series

- 1 to 1500 and 200001 to 201500 are Screw Numbers.
- 1501 to 1800 and 201501 to 201800 are Nut Numbers.
- 1801 to 2000 and 201801 to 202000 are Roller Numbers.
- 2001 to 50000, 202001 and upwards are Numbers of Machine Parts.

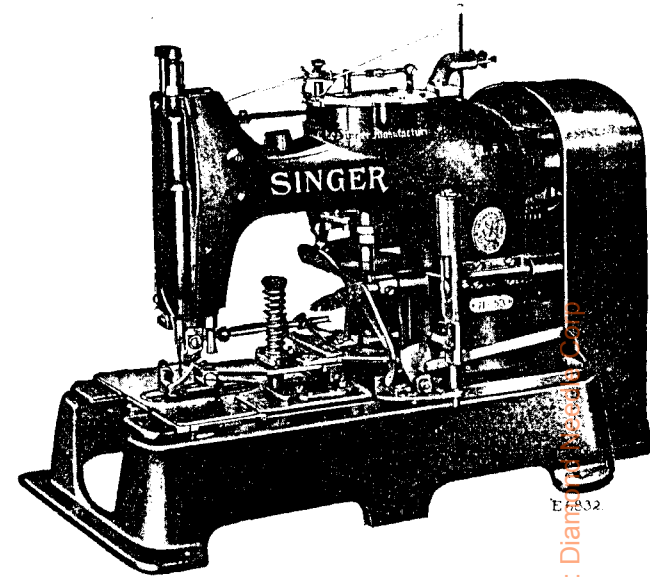
The figures in the second column refer only to the plate in which the illustration of the part is shown and are **NOT TO BE USED** in ordering.

Two or more numbers over a cut indicate that the difference between such parts is not visible in an illustration.

Parts marked with an asterisk (*) are furnished only when repairs are made at the factory.

LIST OF PARTS COMPLETE

FOR



MACHINE No. 71-53

Makes Purl Stitch Buttonholes in one thickness of silk, rayon or other thin material. No Barring Device.

Knives from ¼ to ¾ in. long. Cuts Both

Threads and the Hole Automatically

After Stitching

No.	Plate	Name
*39644	—	Arm with 24081
8582	4013	" Dowel Pin (2)
748E	4025	" Screw (back) (2)
868E	4025	" " (front) (2)
23352	14969	" Shaft
*24081	—	" " Bushing (front)
12357	14970	" " Flanged Bushing (back)
435c	4058	" " " " " " " "
		Set Screw
4784	4013	Arm Shaft Oil Pad
1069D	4025	" " Screw
39620	14970	" Side Cover
190D	4013	" " " Screw

From the library of: Diana...

No.	Plate	Name
39659	4055	Arm Top Cover
808 _F	4025	" " " Screw (3)
*39603	—	Bed
39538	4047	" Oil Guard
1235 _F	4009	" " " Screw (2)
389 _F	4025	Bobbin Winder Base Plate Screw ..
135 _D	4025	" " Tension Bracket Screw
39647	14970	Clamp Arm
625 _F	4009	" " Adjusting Screw (2) ..
1547 _D	4009	" " " " Nut (2)
39584	14970	" " Bracket with 196 _F
40003	4098	" " " Guide (left)
219 _F	4008	" " " " " Screw (2)
40004	4098	Clamp Arm Bracket Guide (right)
217 _F	4025	" " " " " " Screw (2)
191 _C	14971	Clamp Arm Bracket Screw (3)
39541	14973	" " " " Washer (3)
23379	14971	Clamp Arm Hinge Block
23380	14971	" " " " Pin
196 _F	14971	" " " " " Set Screw
1231 _F	14971	Clamp Arm Screw (3)
249501	14970	" Carrier
40006	14971	" " Block with 40007 and four 404 _D
40007	—	Clamp Carrier Block Plate
404 _D	14971	" " " " Screw ..
23384	14971	" " Connecting Rod
52 _C	14971	" " " " Hinge Screw
39591	14971	Clamp Carrier Guide (left)
756 _D	14971	" " " " Screw (long)
1345 _D	4059	Clamp Carrier Guide (left) Screw (short)
39645	4059	Clamp Carrier Guide (right)
1230 _F	14971	" " " " Screw (2)
39604	4055	Clamp Carrier Plate
1231 _F	14971	" " " Screw (back) (2)
404 _D	14971	Clamp Carrier Plate Screw (front) (2)
40010	14970	Clamp Carrier Regulator with 240 _D , 1960 and 39583

No.	Plate	Name
1232 _C	14971	Clamp Carrier Regulator Hinge Screw
1960	14971	Clamp Carrier Regulator Roller and Screw Stud with 1520 _E
1520 _E	4012	Clamp Carrier Regulator Roller and Screw Stud Nut
39544	14970	Clamp Carrier Regulator Slide
350076 _C	14971	" " " Stud (to reg- ulate length of buttonhole)
1671 _C	4009	Clamp Carrier Regulator Stud Nut.
39532	14971	" " " " Sleeve
39583	14971	" " " " Stop
240 _D	4015	" " " " " Screw
39605	14969	Clamp Carrier Slide with 1345 _D , 39591 and two 756 _D
23392	4008	Clamp Carrier Slide Guide (left)
914 _F	4008	" " " " " Screw (2)
23393	4008	Clamp Carrier Slide Guide (right)
914 _F	4008	" " " " " Screw (2)
23394	14970	Clamp Carrier Slide Lever with 1960
23395	14970	Clamp Carrier Slide Lever Regu- lator
23396	4008	Clamp Carrier Slide Lever Regu- lator Cap
223 _D	4008	Clamp Carrier Slide Lever Regu- lator Cap Screw (4)
67 _D	4008	Clamp Carrier Slide Lever Regu- lator Screw
1960	14971	Clamp Carrier Slide Lever Roller and Screw Stud with 1520 _E
1520 _E	4012	Clamp Carrier Slide Lever Roller and Screw Stud Nut
7278	4008	Clamp Carrier Slide Lever Socket Joint
1234 _C	4008	Clamp Carrier Slide Regulating Stud
23397	4008	Clamp Carrier Slide Regulating Stud Bushing
1658 _C	4008	Clamp Carrier Slide Regulating Stud Thumb Nut
1256 _D	4008	Clamp Carrier Slide Screw (2) ...
249502	14971	" Check with 249505, two each 1348 _C and 50138 _F
249503	—	Clamp Check complete, Nos. 219 _F , 2269, 39734, 39735, 40049, 40050 and 249502

No.	Plate	Name
1296C	14971	Clamp Check Hinge Screw (2)
39650	14971	" " Holder
212D	14971	" " " Hinge Cap Screw
237D	4057	" " " Stop Screw
39715	14971	" " " " "
		Washer
249504	14971	Clamp Check Position Plate
228F	4058	" " " " Screw
249505	14971	" " Section and Cutting Plate
50138F	14971	Clamp Check Section and Cutting Plate Screw
1348C	4098	Clamp Check Section and Cutting Plate Support Stud
249506	14972	Clamp Lifting Arm
249507	14972	" " " Connection
249508	14971	" " " "
		Follower
249509	14971	Clamp Lifting Arm Connection Follower Cap
207E	4012	Clamp Lifting Arm Connection Follower Cap Screw (2)
350205D	14973	Clamp Lifting Arm Connection Follower Hinge Screw
1520J	4012	Clamp Lifting Arm Connection Follower Hinge Screw Nut
249510	14973	Clamp Lifting Arm Connection Follower Spring
249511	14972	Clamp Lifting Arm Connection Lock
940F	4058	Clamp Lifting Arm Connection Lock Hinge Screw
232065	14973	Clamp Lifting Arm Connection Lock Spring
201295E	14973	Clamp Lifting Arm Connection Lock Spring Screw Stud
249512	14972	Clamp Lifting Arm Connection Lock Trip Lever
1255D	14973	Clamp Lifting Arm Connection Lock Trip Lever Screw (2)
1901	4059	Clamp Lifting Arm Connection Roller and Screw Stud with 229D and 12424
40016	4059	Clamp Lifting Arm Connection Roller and Screw Stud Bracket . .
157F	4015	Clamp Lifting Arm Connection Roller and Screw Stud Bracket Screw

No.	Plate	Name
39541	14973	Clamp Lifting Arm Connection Roller and Screw Stud Bracket Screw Washer
225532	14973	Clamp Lifting Arm Connection Roller and Screw Stud Washer . .
229D	4014	Clamp Lifting Arm Connection Roller Cap Screw
12424	4014	Clamp Lifting Arm Connection Roller Cap Screw Washer
249513	14973	Clamp Lifting Arm Connection Stop
641C	14973	Clamp Lifting Arm Connection Stop Screw
199D	4059	Clamp Lifting Arm Screw (2)
40017	4059	" " " Stop
249514	14972	" " " " Bracket
350206E	14973	" " " " Hinge Screw
1611E	4059	Clamp Lifting Arm Stop Hinge Screw Nut
40019	14972	Clamp Lifting Arm Stop Pitman
59D	14973	" " " " "
		Hinge Screw (back)
350207D	14973	Clamp Lifting Arm Stop Pitman Hinge Screw (front)
40020	4055	Clamp Plate
1235F	4009	" " Screw (4)
23573	14972	" " Support
402D	14973	" " " Screw (2)
23574	4009	" Post
1659C	4009	" Pressure Regulating Thumb Nut
23404	4009	Clamp Spring
23693	4009	" " Bushing
1294C	4009	" " " Position Stud . .
1550H	4009	" " " " " Nut
24028	14972	Crank Connecting Rod with 24085 and two 896E
*24085	—	Crank Connecting Rod Cap
896E	4025	" " " " Screw
908C	14973	" " " Hinge Screw
1619E	4025	" " " " "
		Nut
23406	14969	Face Plate
217F	4025	" " Screw (2)
23672	14972	Feed Connecting Rod with 12204 and two 145E
*12204	—	Feed Connecting Rod Cap
145E	14973	" " " " Screw . .
375C	4025	" " " Hinge Screw

From the Library of: Diamond Needle Corp

No.	Plate	Name
1518E	4025	Feed Connecting Rod Hinge Screw Nut
23412	4013	Feed Eccentric with 448c
448c	4015	" " Set Screw
23413	14974	" Hand Ratchet Lever with 214b and 1049E
23414	4013	Feed Hand Ratchet Lever Collar with two 453c
453c	4013	Feed Hand Ratchet Lever Collar Set Screw
39567	—	Feed Hand Ratchet Lever Pawl with 214b
39522	14974	Feed Hand Ratchet Lever Pawl complete, Nos. 207E, 39523, 39567 and two 1049E
90b	4058	Feed Hand Ratchet Lever Pawl Hinge Screw
39523	4012	Feed Hand Ratchet Lever Pawl Point
1049E	4013	Feed Hand Ratchet Lever Pawl Point Position Screw
207E	4012	Feed Hand Ratchet Lever Pawl Point Screw
13218	4013	Feed Hand Ratchet Lever Pawl Spring
214b	4013	Feed Hand Ratchet Lever Pawl Spring Screw
1049E	4013	Feed Hand Ratchet Lever Pawl Stop Screw
23416	4013	Feed Hand Ratchet Wheel with 460c
3012	4013	" " " " Pin
460c	4013	" " " " Set Screw
23418	14974	" Rock Shaft
23419	—	Feed Rock Shaft complete, Nos. 23418 and 23420
23420	14974	Feed Rock Shaft Hinge Pin with 23421
23421	4013	Feed Rock Shaft Hinge Pin Plug (leather)
448c	4015	Feed Rock Shaft Hinge Pin Set Screw
39552	14969	Feed Wheel with 23432 and two 220b
150c	4012	Feed Wheel Cap Screw
23424	4010	" " Driving Lever
39597	4098	" " " " Block with 602E and 39598 (2)
769c	4098	Feed Wheel Driving Lever Block Adjusting Screw

No.	Plate	Name
39594	4098	Feed Wheel Driving Lever Block Adjusting Screw Bracket with 769c, 898c and 39504 (2)
185u	4098	Feed Wheel Driving Lever Block Adjusting Screw Bracket Screw (4)
898c	4098	Feed Wheel Driving Lever Block Adjusting Screw Clamping Screw
39504	14973	Feed Wheel Driving Lever Block Adjusting Screw Clamping Screw Washer
39598	4098	Feed Wheel Driving Lever Block Lock Spring
602E	4098	Feed Wheel Driving Lever Block Lock Spring Screw
23428	4012	Feed Wheel Driving Lever Pitman with 23429, 50088c and two 196E
50088c	14973	Feed Wheel Driving Lever Pitman Ball Joint Screw
*23429	—	Feed Wheel Driving Lever Pitman Cap
196E	14971	Feed Wheel Driving Lever Pitman Cap Screw
23427	4010	Feed Wheel Driving Lever Plate
404b	14971	" " " " " " Screw (2)
1236E	4012	Feed Wheel Driving Lever Regulating Stud
7070	14973	Feed Wheel Driving Lever Regulating Stud Sleeve
1658A	4008	Feed Wheel Driving Lever Regulating Stud Thumb Nut
1237c	4012	Feed Wheel Friction Ring Screw
1520E	4012	" " " " " " Nut
14017	4012	Feed Wheel Friction Ring Screw Washer
23552	4010	Feed Wheel Friction Ring Section (long)
23553	4010	Feed Wheel Friction Ring Section (short)
23554	4012	Feed Wheel Friction Ring Spring
23555	—	Feed Wheel Friction Ring complete, Nos. 23552 to 23554
2117	4012	Feed Wheel Pin
2254	4098	" " Retaining Clutch
39595	4098	" " " " Cap
898c	4098	" " " " " " Screw

No.	Plate	Name
39504	14973	Feed Wheel Retaining Clutch Cap Screw Washer
2256	4098	Feed Wheel Retaining Clutch Spring
233D	14973	Feed Wheel Retaining Clutch Spring Screw
721D	4098	Feed Wheel Retaining Clutch Spring Stop Screw
39596	4098	Feed Wheel Retaining Clutch Stud
23431	4010	" " Shaft
457C	4012	" " " Oil Hole Plug Screw
23433	4010	Feed Wheel Tripping Lever
1257C	4012	" " " " Hinge Screw
23587	4012	Feed Wheel Tripping Lever Point
203C	4012	" " " " " " Screw (2)
23435	4013	Feed Wheel Tripping Lever Spring
190D	4013	" " " " " " Screw
179E	14973	Feed Wheel Tripping Lever Stop Screw
23432	4012	Feed Wheel Tripping Point
220D	4012	" " " " " Screw..
249515	—	Knife, $\frac{1}{4}$ inch
39958	—	" $\frac{3}{8}$ inch
39959	—	" $\frac{1}{2}$ inch
39960	14973	" $\frac{1}{2}$ inch
39961	—	" $\frac{5}{16}$ inch
39962	—	" $\frac{3}{8}$ inch
39963	—	" $\frac{1}{2}$ inch
39964	—	" $\frac{3}{4}$ inch
23460	4010	" Bar
23461	4015	" " Connecting Link
1239D	4015	" " " " Hinge Cap Screw
1240C	4015	Knife Bar Connecting Link Hinge Screw
23462	4015	Knife Bar Connecting Stud with 1319F
1319F	4015	Knife Bar Connecting Stud Clamp- ing Screw
23463	4015	Knife Bar Disengaging Lever
23464	4015	" " " " Catch with 1963
23465	4015	Knife Bar Disengaging Lever Catch Bracket
157D	4015	Knife Bar Disengaging Lever Catch Bracket Screw (2)

No.	Plate	Name
90c	4058	Knife Bar Disengaging Lever Catch Hinge Screw
1963	4015	Knife Bar Disengaging Lever Catch Roller and Stud
23468	4015	Knife Bar Disengaging Lever Catch Spring
1241E	4015	Knife Bar Disengaging Lever Catch Spring Screw Stud (2)
23466	4015	Knife Bar Disengaging Lever Catch Tripping Point
23467	4015	Knife Bar Disengaging Lever Catch Tripping Point Collar with two 448c
448c	4015	Knife Bar Disengaging Lever Catch Tripping Point Collar Set Screw
175D	4015	Knife Bar Disengaging Lever Catch Tripping Point Screw
90c	4058	Knife Bar Disengaging Lever Hinge Screw
23606	4015	Knife Bar Disengaging Lever Spring
1242E	4015	" " " " " Screw (2)
240D	4015	Knife Bar Disengaging Lever Stop Screw
23469	4010	Knife Bar Driving Lever
1290c	4014	" " " " Hinge Screw
1428c	4014	Knife Bar Driving Lever Screw Stud
1520E	4012	Knife Bar Driving Lever Screw Stud Nut
23681	4014	Knife Bar Driving Lever Spring
805c	4014	" " " " " Screw
23470	4010	Knife Bar Driving Lever (inter- mediate)
23471	4014	Knife Bar Driving Lever (inter- mediate) Connecting Link
54c	4014	Knife Bar Driving Lever (inter- mediate) Connecting Link Hinge Screw
1222c	4014	Knife Bar Driving Lever (inter- mediate) Hinge Screw
1959	4014	Knife Bar Driving Lever (inter- mediate) Roller and Screw Stud with 229D and 12424
229D	4014	Knife Bar Driving Lever (inter- mediate) Roller Cap Screw

From the library of: Diamond Needle Corp

No.	Plate	Name
12424	4014	Knife Bar Driving Lever (intermediate) Roller Cap Screw Washer
23682	4014	Knife Bar Spring
39566	4014	" " Stop
39565	—	Knife Bar Stop complete, Nos. 1673c, 23548 and 39566
1673c	4014	Knife Bar Stop Lock Nut
23548	4014	" " " Plug (fibre)
23473	4014	" Holder
1243c	4014	" " Guide Stud
1608c	4014	" " " " Nut
157c	4015	" " Screw
1547c	4009	" " " Nut
191c	14971	" Screw
23390	4014	" " Washer
39600	14974	Needle Bar with 904E
23476	14973	" " Connecting Link with 794E
794E	14973	Needle Bar Connecting Link Adjusting Screw
1021E	14973	Needle Bar Connecting Link Cap Screw
39601	14973	Needle Bar Connecting Stud with 1341c
1341c	14973	Needle Bar Connecting Stud Set Screw
23477	4010	Needle Bar Crank with 858c, 1036c, 1065c and 1258c
1065c	4025	Needle Bar Crank Position Screw ..
858c	4025	" " " Set Screw
23478	14969	" " Frame with 4784
39968	14974	" " " Cam and Bevel Gear
1244c	14973	Needle Bar Frame Cam and Bevel Gear Screw
39967	14974	Needle Bar Frame Driving Bevel Pinion with two 453c
453c	4013	Needle Bar Frame Driving Bevel Pinion Set Screw
23610	—	Needle Bar Frame Pitman (hinge screw end)
23675	—	Needle Bar Frame Pitman (regulator end)
190c	4013	Needle Bar Frame Pitman Adjusting Screw
7071	4008	Needle Bar Frame Pitman Adjusting Screw Washer

No.	Plate	Name
23676	14974	Needle Bar Frame Pitman (adjustable) complete, Nos. 23610, 23675, two each 190c and 7071
1042E	14973	Needle Bar Frame Pitman Hinge Screw
1547D	4009	Needle Bar Frame Pitman Hinge Screw Nut
23677	14974	Needle Bar Frame Regulator with 1956
1038c	14973	Needle Bar Frame Regulator Adjusting Screw
7070	14973	Needle Bar Frame Regulator Adjusting Screw Sleeve
1589c	14973	Needle Bar Frame Regulator Adjusting Screw Thumb Nut
1956	14973	Needle Bar Frame Regulator Roller and Screw Stud with 229D, 1655E and 23389
1655E	14977	Needle Bar Frame Regulator Roller and Screw Stud Nut
229D	4014	Needle Bar Frame Regulator Roller Cap Screw
23389	14977	Needle Bar Frame Regulator Roller Cap Screw Washer
23667	14977	Needle Bar Frame Regulator Stud 673E 14977 " " " Screw Center ...
1517E	14977	" " " " " Nut
249516	14977	" Plate
404D	14971	" " Screw (2)
904E	14977	" Set Screw
39653	14974	Oscillating Rock Shaft
39654	—	Oscillating Rock Shaft complete, Nos. 4784, 23494 and 39653
23494	14974	Oscillating Rock Shaft Hinge Pin with 23421
23421	4013	Oscillating Rock Shaft Hinge Pin Oil Hole Plug (leather)
448c	4015	Oscillating Rock Shaft Hinge Pin Set Screw
4784	4013	Oscillating Rock Shaft Oil Pad ...
39655	14974	" Shaft
39656	14977	" " Bushing (back)
24047	4013	" " " (front)
39657	—	" " Crank
39658	14977	Oscillating Shaft Crank complete, Nos. 1636E, 24050, 39657 and two 1253c
1253c	14977	Oscillating Shaft Crank Set Screw
19448	14977	" " " Slide Block

No.	Plate	Name
226D	14977	Oscillating Shaft Crank Slide Block Cap Screw
12424	4014	Oscillating Shaft Crank Slide Block Cap Screw Washer
1035c	14977	Oscillating Shaft Crank Slide Block Screw Stud
1636E	14977	Oscillating Shaft Crank Slide Block Screw Stud Nut
24050	—	Oscillating Shaft Crank Slide Block complete, Nos. 226D, 1035c, 12424 and 19448
23497	14975	Pulley (loose)
40024	—	" (tight)
39927	14975	" 40024 with 40025
23499	14975	" (tight) Counterbalance
28034	4020	" " " Rivet
40025	14977	" " Pin
23500	14977	Shuttle Bobbin
15141	—	" " Case Hinge, Nos. 2973, 2974 and 15140
15140	14977	Shuttle Bobbin Case Latch
2973	14977	" " " " Lever ..
2974	14977	" " " " " Fulcrum Pin
2975	14977	Shuttle Bobbin Case Latch Spring ..
592E	14977	" " " " " Stop Screw
39623	14977	Shuttle Bobbin Case Position Finger
2523	14977	Shuttle Bobbin Case Position Finger Rivet
15628	14977	Shuttle Bobbin Case Thread Guide with two 2080
2080	—	Shuttle Bobbin Case Thread Guide Rivet
39991	14977	Shuttle Bobbin Case complete, Nos. 591F, 592E, 2523, 2975, 15141, 15628, 39623 and 39992
23503	14978	Shuttle Body
591F	14978	" Tension Regulating Screw ..
39992	14977	" " Spring
39993	14977	" 1½ in. diam., Nos. 23500, 23503 and 39991
23505	14979	Shuttle Driver with 462c
2269	14978	" " Pin
462c	14978	" " Set Screw
39969	14978	" Race Back
2532	14978	" " " Position Pin
2533	14979	" " " Spring
648D	14979	" " " " Screw

No.	Plate	Name
39979	—	Shuttle Race Body
39980	—	" " " 39979 with 7326, 39981, two each 391J and 662D ..
7326	14978	Shuttle Race Cap
662D	14979	" " " Screw
39981	14978	" " Ring
391J	14979	" " " Screw
39982	14978	Shuttle Race complete, Nos. 648D, 2533, 39969, 39980 and two 2532 ..
145F	14973	Shuttle Race Screw (2)
39627	4053	Starting Lever
717c	4020	" " Adjusting Screw
1520E	4012	" " " " Nut
21643	4020	" " Belt Shifter
159F	4020	" " " Screw ..
23510	14975	" " Bracket
8582	4013	" " " Dowel Pin (2)
123E	4020	" " " Screw
23511	14975	" " Rod
61c	4020	" " " Hinge Screw ...
564c	4020	" " Screw Center (2) ...
1508E	4020	" " " " Nut (2)
14174	14979	" " Spring
124F	14979	" " Stop Screw
1518E	4025	" " " " Nut
39628	4059	Stop Cam with 39629 and 202330 ..
39580	14975	" " Interlocking Rod
23514	4020	" " " " Guide with 1070c and 1959
1070c	4020	Stop Cam Interlocking Rod Guide Set Screw
39988	14979	Stop Cam Interlocking Rod Guide Washer (rawhide)
21651	4021	Stop Cam Interlocking Rod Spring ..
913c	4021	" " " " " " " Regulating Thumb Screw
1638E	4021	Stop Cam Interlocking Rod Spring Regulating Thumb Screw Nut ..
202330	—	Stop Cam Oil Packing (wick)
39629	4059	" " Pin
23515	4021	" " Spring (long)
23516	4021	" " " (short)
23517	14975	" " " Cover with 23499, two each 9780 and 28034
9780	4021	Stop Cam Spring Cover Position Pin ..
997E	4021	" " " " Screw (2) ..
39637	4021	" " " Stop Block
1349c	14979	" " " " Screw
39638	4021	" " " " " Block ..

No.	Plate	Name
457c	4012	Stop Cam Spring Stop Screw Set Screw
23518	4010	Stop Lever
78D	4021	" " Hinge Screw
9540	4021	" " Spring
32012	14979	Tension Disc (2)
1560c	14979	" Regulating Thumb Nut
39660	14979	" Releaser
1387c	14979	" " Guide Screw Stud ...
1521E	14979	" " " " " Nut
39632	—	" " Holder with 201F
999F	14979	" " " Hinge Screw..
201F	14979	" " Set Screw
39633	4058	" Releasing Lever
39634	4058	" " " Connection
974F	4058	" " " " "
		Screw (back)
940F	4058	Tension Releasing Lever Connec- tion Screw (front)
90c	4058	Tension Releasing Lever Hinge Screw
413F	14979	Tension Screw Stud
2103	14979	" Spring
39636	14979	" Thread Eyelet (double)
217F	4025	" " " Screw
249517	14979	Thread (lower) Cutting Blade
40036	4058	" " " " Carrier with 40038
40037	14976	Thread (lower) Cutting Blade Car- rier Lever
32c	4025	Thread (lower) Cutting Blade Car- rier Lever Hinge Screw
39736	4058	Thread (lower) Cutting Blade Car- rier Lever Spring
1241E	4015	Thread (lower) Cutting Blade Car- rier Lever Spring Screw Stud (2)
435c	4058	Thread (lower) Cutting Blade Car- rier Lever Stop Screw
1520E	4012	Thread (lower) Cutting Blade Car- rier Lever Stop Screw Nut
40038	4058	Thread (lower) Cutting Blade Car- rier Stud
249518	14979	Thread (lower) Cutting Blade Fric- tion Plate
934H	14979	Thread (lower) Cutting Blade Fric- tion Plate Screw (2)
240D	4015	Thread (lower) Cutting Blade Screw (2)

No.	Plate	Name
249519	14976	Thread (lower) Cutting Lever . . .
1351c	14971	" " " " Ball Screw
1520E	4012	Thread (lower) Cutting Lever Ball Screw Nut
249528	14980	Thread (lower) Pull-off Finger
1350c	14980	" " " " Hinge Screw
350209c	14980	Thread (lower) Pull-off Finger Screw Stud
39734	14980	Thread (upper) Clamping Blade ..
39735	14980	" " Cutting Blade
39610	4057	" " " " Connect- ing Rod
40043	4057	Thread (upper) Cutting Blade Connec- ting Rod Collar (back) with 209c
209c	—	Thread (upper) Cutting Blade Connec- ting Rod Collar (back) Set Screw
40044	4057	Thread (upper) Cutting Blade Connec- ting Rod Collar (front) with 237F
2273	4057	Thread (upper) Cutting Blade Connec- ting Rod Collar (front) Pin ..
237F	4057	Thread (upper) Cutting Blade Connec- ting Rod Collar (front) Set Screw
40045	4057	Thread (upper) Cutting Blade Connec- ting Rod Collar (front) Wash- er (rawhide) (2)
106c	4057	Thread (upper) Cutting Blade Connec- ting Rod Hinge Screw
23606	4015	Thread (upper) Cutting Blade Connec- ting Rod Spring
39611	4057	Thread (upper) Cutting Blade Connec- ting Rod Spring Bracket ...
203F	4012	Thread (upper) Cutting Blade Connec- ting Rod Spring Bracket Screw (2)
7071	4008	Thread (upper) Cutting Blade Connec- ting Rod Spring Bracket Screw Washer (2)
40047	4057	Thread (upper) Cutting Blade Connec- ting Rod Spring Collar with 646F
646F	4057	Thread (upper) Cutting Blade Connec- ting Rod Spring Collar Set Screw

No.	Plate	Name
39754	14980	Thread (upper) Cutting Blade Opener Lever
90c	4058	Thread (upper) Cutting Blade Opener Lever Hinge Screw
39755	14980	Thread (upper) Cutting Blade Opener Lever Latch
190D	4013	Thread (upper) Cutting Blade Opener Lever Latch Screw (2) ..
7071	4008	Thread (upper) Cutting Blade Opener Lever Latch Screw Washer (2)
12648	14980	Thread (upper) Cutting Blade Opener Lever Spring
236r	14980	Thread (upper) Cutting Blade Opener Lever Spring Screw
249522	14980	Thread (upper) Cutting Blade Opener Lever Trip Bracket
690D	14980	Thread (upper) Cutting Bracket Opener Lever Trip Bracket Screw
181D	4013	Thread (upper) Cutting Blade Opener Lever Trip Bracket Screw
9525	4083	Thread (upper) Cutting Blade Opener Lever Trip Bracket Screw Washer
21699	4098	Thread (upper) Cutting Blade Position Pin
219r	4008	Thread (upper) Cutting Blade Screw
40049	4098	Thread (upper) Cutting Blade Shaft with 21699
40050	4098	Thread (upper) Cutting Blade Shaft Crank with 906c
2269	14978	Thread (upper) Cutting Blade Shaft Crank Pin
906c	14980	Thread (upper) Cutting Blade Shaft Crank Set Screw
40051	14976	Thread (upper) Cutting Lever with 641c
40052	4057	Thread (upper) Cutting Lever Lock Pin
1352c	4057	Thread (upper) Cutting Lever Lock Pin Screw Bushing
40053	4057	Thread (upper) Cutting Lever Lock Pin Spring
2117	4012	Thread (upper) Cutting Lever Pin
641c	14973	" " " " Set Screw
40054	14976	Thread (upper) Cutting Lever Shaft
40067	14976	" " " " " Bracket

No.	Plate	Name
966D	4025	Thread (upper) Cutting Lever Shaft Bracket Screw (2)
39661	14980	Thread (upper) Cutting Lever Shaft Collar with 641c
12538	14980	Thread (upper) Cutting Lever Shaft Collar Pin
641c	14973	Thread (upper) Cutting Lever Shaft Collar Set Screw
249523	14980	Thread (upper) Cutting Lever Shaft Crank with two each 200r and 40059
40057	4057	Thread (upper) Cutting Lever Shaft Crank Latch
766D	4057	Thread (upper) Cutting Lever Shaft Crank Latch Hinge Screw
40058	4057	Thread (upper) Cutting Lever Shaft Crank Latch Spring
206r	4057	Thread (upper) Cutting Lever Shaft Crank Latch Spring Screw, for 249523
1144r	4057	Thread (upper) Cutting Lever Shaft Crank Latch Spring Screw, for 40057
40059	4057	Thread (upper) Cutting Lever Shaft Crank Latch Stop Pin
200r	4057	Thread (upper) Cutting Lever Shaft Crank Set Screw
40060	14980	Thread (upper) Cutting Lever Spring
1241E	4015	Thread (upper) Cutting Lever Spring Screw Stud (2)
717c	4020	Thread (upper) Cutting Lever Stop Screw
1520E	4012	Thread (upper) Cutting Lever Stop Screw Nut
19159	14981	Thread Guide Body
19161	14981	" " Cap
19160	14981	" " Roller
905D	14981	" " Screw
19162	----	Thread Guide complete, Nos. 905D and 19159 to 19161
12400	14981	Thread Retainer Sleeve
12401	14981	" " Spring
12402	14981	" " Stud
460c	4013	" " " Set Screw
12399	----	Thread Retainer complete, Nos. 12400 to 12402

No.	Plate	Name
23523	14981	Thread Take-up Crank
1036c	14981	" " " Position Screw
1258c	14981	" " " Set Screw ..
23524	14981	" " " Lever
12166	14981	" " " Hinge Pin
23543	14981	" " " Link
11204	14981	" " " " Hinge Pin
435c	4058	" " " " " " "
		Set Screw
23525	---	Thread Take-up Lever complete, Nos. 12166, 23524 and 23543
4784	4013	Thread Take-up Lever Oil Pad
39652	4009	" " " Spring
23526	14981	" " " Regulator
446c	4025	" " " " " Set Screw
23669	14981	Thread Take-up Spring Thread Guard
460c	4013	Thread Take-up Spring Thread Guard Set Screw

ACCESSORIES

No.	Plate	Name
23530	14981	Gauge, for $\frac{1}{4}$ to $\frac{3}{4}$ in., for setting length of buttonhole
23500	14977	Shuttle Bobbin (5)
71 x 1	---	Needles, three each, sizes 11 and 14
23527	---	Drip Pan with two wood screws $\frac{1}{2}$ in., No. 5, R. H. B.
249515	---	Knife, $\frac{1}{4}$ inch
41401	14969	Machine Rest Pin (wood)
120346	14969	Oller (copper plated) with 120347
120347	14969	" Spout, 9 in. long
11831	4028	Screw Driver, 5 in. blade (machine, large)
*120088	---	Screw Driver Blade
*120090	---	" " Handle
26026	4028	Screw Driver, Nos. 120088 and 120090
*120092	---	Screw Driver Blade
*120093	---	" " Ferrule
*120094	---	" " Handle with 120093 ..
26485	4028	Screw Driver, Nos. 120092 and 120094
39734	14980	Thread (upper) Clamping Blade ..
249517	14979	" (lower) Cutting Blade
39735	14980	" (upper) Cutting Blade
10875	4028	Wrench, for 1518 and 1520
21654	4028	" " 1508 and 1638
23535	4028	" " 1671, for regulating length of buttonhole

BOBBIN WINDER

Swinging Automatic, Right Hand

27914	4029	Base with 27916 and two 28084
27915	4029	" Plate
389F	4025	" Screw
15072	14981	Bobbin Position Pin
27916	4024	Brake (leather)
28084	4024	" Rivet
27302	4029	Frame
50356D	14981	" Hinge Screw
1620J	14981	" " " Nut
27917	4024	" Spring

No.	Plate	Name
27918	4029	Pulley
27538	4029	Spindle with 15072
27919	4029	Stop Latch
35D	4025	" " Hinge Screw
27920	4029	Tension Bracket with 452c
27921	4029	Tension Bracket with rod complete, Nos. 27922 and 41336
41336	—	Tension Bracket complete, Nos. 5989, 10145 and 27920
2455	4024	Tension Disc
1562J	4024	" Regulating Thumb Nut
418D	4024	" Screw Stud
10141	4024	" Spring
10145	4024	" Thread Guide
5989	—	Tension complete, Nos. 418D, 1562J, 10141 and two 2455
27922	4029	Thread Eyelet Rod
452c	4025	" " " Set Screw
27923	4029	Bobbin Winder, Nos. 35D, 1620J, 27302, 27538, 27914, 27917 to 27919 and 50356D
27924	—	Bobbin Winder (swinging auto- matic, right hand) complete, Nos. 27915, 27921, 27923 and two 389F

IRON BASE

39910	4082	Bed Frame with two each 16555, 19398, four each 158E, 24106, six 14010 and four wood screws 1½ in., No. 12
24106	4024	Bed Frame Cushion (felt)
158E	4024	" " " Screw
19226	4024	" " Hinge Connection
19398	—	" " " " 19226 with 211E and 19397
19397	4024	Bed Frame Hinge Connection Cap
211E	4024	" " " " " " Screw
16555	4024	Bed Frame Hinge Plate
14010	4024	" " " " Rivet
39911	4084	Splash Guard
39912	4083	" " Hinge
200574E	11658	" " " Screw
201655F	11658	" " Locking Screw Wing Nut
39913	—	Bed Frame and Splash Guard com- plete, Nos. 39910, 39911, two 39912 and eight 200574E

CLAMP LIFTING LEVER

No.	Plate	Name
249524	14969	Clamp Lifting Lever with 227954 ..
249525	14969	" " " Chain, 34½ in. long, with two 202784
249526	14969	Clamp Lifting Lever Chain, 12½ in. long, with two 202784
202784	14969	Clamp Lifting Lever Chain Hook
227954	14969	" " " " " (double)
225016	14981	Clamp Lifting Lever Hinge Pin ..
227953	14969	" " " Stand with two wood screws 1 in., No. 12
249527	14969	Clamp Lifting Lever complete, Nos. 225016, 227953 and 249524 to 249526

TABLE BELT GUIDES

23536	4047	Belt Guide with two 168E
168E	4025	" " Set Screw
14229	4047	Bracket with 448c
23538	14969	Pulley
39708	4047	" Shaft with 858c
858c	4025	" " Oil Hole Plug Screw ..
448c	4015	" " Set Screw
39716	4047	Table Belt Guide (single, left) com- plete, Nos. 14229, 23536, 23538, 39708 and four wood screws 1½ in., No. 12, R.H.B.
39709	4047	Table Belt Guide (single, right) complete, Nos. 14229, 23536, 23538, 39708 and four wood screws 1½ in., No. 12, R.H.B.

THREAD UNWINDER

225395	14263	Spool Rest (for two spools) with 201018c
225388	14263	Spool Rest Rod
200383c	14981	" " " Set Screw
201018c	14981	" " Set Screw
202490	14263	" Stand with 200383c
225391	14263	Thread Guide
201696J	14981	" " Lock Nut
225392	14263	" " Rod with 208E and 225393

No.	Plate	Name
208E	4083	Thread Guide Rod Screw
225393	14981	" " " Washer
225396	14263	Thread Unwinder (for two spools) complete, Nos. 201696J, 202490, 225388, 225392, 225395, two 225391 and three wood screws $\frac{3}{8}$ in., No. 12

TREADLE

14209	14969	Treadle
39569	—	" Chain, 45 in. long, with 39575 and 39576
39570	4047	Treadle Chain Guide Bracket
39571	4047	" " " Pulley
1064D	4025	" " " " Screw ..
39575	4024	" " Hook (lower)
39576	4024	" " " (upper)
39572	4047	Treadle Chain Guide complete, Nos. 39570, two each 1064D, 39571 and wood screws $1\frac{1}{2}$ in., No. 12, R.H.B.
23551	4024	Treadle Chain Screw Eye
7585	4010	" Shaft
14357	14969	" Stand
14358	14969	Treadle complete, Nos. 7585, 14209, 14357 and two wood screws $1\frac{1}{2}$ in., No. 12

KNIFE GRINDER

No.	Plate	Name
39886	—	Emery Wheel, 4 in. diameter
39887	4083	" " Driving Shaft
201510D	11658	" " " " Nut
204101	11658	" " " " "
		Washer
39888	4083	Emery Wheel Driving Shaft Oil Hole Cover
350068E	14981	Emery Wheel Driving Shaft Oil Hole Cover Screw
206963	11658	Emery Wheel Driving Shaft Pulley with two 200403c
200403c	11658	Emery Wheel Driving Shaft Pulley Set Screw
206969	—	Emery Wheel Washer (paper)
39889	4082	Knife Grinder Frame
39890	4086	" Holder (adjustable)
57c	4083	" " Hinge Screw
39891	4083	" " Indicator
203094	11658	" " " Position Pin
200165H	11658	" " " Screw
39892	4086	" " Slide Bracket with 200386c
201298c	11658	Knife Holder Slide Bracket Adjust- ing Screw
39893	4086	Knife Holder Slide Bracket Adjust- ing Screw Slide Plate
200577H	11658	Knife Holder Slide Bracket Adjust- ing Screw Slide Plate Screw
10249	4083	Knife Holder Slide Bracket Adjust- ing Screw Tension Spring
219F	4008	Knife Holder Slide Bracket Adjust- ing Screw Tension Spring Screw
200386c	11658	Knife Holder Slide Bracket Set Screw
39894	4086	Knife Holder Slide Bracket Shaft
206232	11658	" " " " "
		Collar with 201052c
201052c	11658	Knife Holder Slide Bracket Shaft Collar Set Screw
771D	4083	Knife Holder Thumb Screw
9525	4083	" " " " Washer
39895	4083	" Holding Spring
39896	4083	" " " Bracket
204264	11658	" " " " Position Pin

No.	Plate	Name
176D	4083	Knife Holding Spring Bracket Screw
204264	11658	Knife Holding Spring Position Pin
793D	4083	" " " Thumb Screw
39897	4083	" Stop (adjustable)
208D	4083	" " Screw
39898	—	Knife Grinder complete, Nos. 57c, 176D, 208D, 219E, 771D, 793D, 9525, 10249, 39886 to 39897, 200165U, 201298c, 201510D, 203094, 204101, 206963, 350068E, two each 200577U, 204264, 206232, 206969 and three wood screws 1 1/4 in., No. 12

MISCELLANEOUS PARTS

Used in Conjunction with Thread Unwinder

60913	14263	Spool Weight with 60914
60914	—	" " Center Pin
225377	14263	" Wire, for small spools

NUMERICAL LIST OF PARTS

No.	Plate	Name
20	4034	Thread Upper Collar (to be used with Lower Hinge)
45	4016	Thread Upper Collar (to be used with Upper Hinge)
48	4017	Thread Upper Collar (to be used with Upper Hinge)
50	4011	Knife Pin (to be used with Hinge)
51	4012	Knife Pin (to be used with Hinge)
52	4013	Knife Pin (to be used with Hinge)
53	4014	Knife Pin (to be used with Hinge)
54	4015	Knife Pin (to be used with Hinge)
55	4018	Knife Pin (to be used with Hinge)
56	4019	Knife Pin (to be used with Hinge)
57	4020	Knife Pin (to be used with Hinge)
58	4021	Knife Pin (to be used with Hinge)
59	4022	Knife Pin (to be used with Hinge)
60	4023	Knife Pin (to be used with Hinge)
61	4024	Knife Pin (to be used with Hinge)
62	4025	Knife Pin (to be used with Hinge)
63	4026	Knife Pin (to be used with Hinge)
64	4027	Knife Pin (to be used with Hinge)
65	4028	Knife Pin (to be used with Hinge)
66	4029	Knife Pin (to be used with Hinge)
67	4030	Knife Pin (to be used with Hinge)
68	4031	Knife Pin (to be used with Hinge)
69	4032	Knife Pin (to be used with Hinge)
70	4033	Knife Pin (to be used with Hinge)

NUMERICAL LIST OF PARTS

FOR

MACHINE No. 71-53

100	4001	Thread Upper Collar (to be used with Lower Hinge)
101	4002	Thread Upper Collar (to be used with Upper Hinge)
102	4003	Thread Upper Collar (to be used with Upper Hinge)
103	4004	Thread Upper Collar (to be used with Upper Hinge)
104	4005	Thread Upper Collar (to be used with Upper Hinge)
105	4006	Thread Upper Collar (to be used with Upper Hinge)
106	4007	Thread Upper Collar (to be used with Upper Hinge)
107	4008	Thread Upper Collar (to be used with Upper Hinge)
108	4009	Thread Upper Collar (to be used with Upper Hinge)
109	4010	Thread Upper Collar (to be used with Upper Hinge)
110	4011	Thread Upper Collar (to be used with Upper Hinge)
111	4012	Thread Upper Collar (to be used with Upper Hinge)
112	4013	Thread Upper Collar (to be used with Upper Hinge)
113	4014	Thread Upper Collar (to be used with Upper Hinge)
114	4015	Thread Upper Collar (to be used with Upper Hinge)
115	4016	Thread Upper Collar (to be used with Upper Hinge)
116	4017	Thread Upper Collar (to be used with Upper Hinge)
117	4018	Thread Upper Collar (to be used with Upper Hinge)
118	4019	Thread Upper Collar (to be used with Upper Hinge)
119	4020	Thread Upper Collar (to be used with Upper Hinge)
120	4021	Thread Upper Collar (to be used with Upper Hinge)
121	4022	Thread Upper Collar (to be used with Upper Hinge)
122	4023	Thread Upper Collar (to be used with Upper Hinge)
123	4024	Thread Upper Collar (to be used with Upper Hinge)
124	4025	Thread Upper Collar (to be used with Upper Hinge)
125	4026	Thread Upper Collar (to be used with Upper Hinge)
126	4027	Thread Upper Collar (to be used with Upper Hinge)
127	4028	Thread Upper Collar (to be used with Upper Hinge)
128	4029	Thread Upper Collar (to be used with Upper Hinge)
129	4030	Thread Upper Collar (to be used with Upper Hinge)
130	4031	Thread Upper Collar (to be used with Upper Hinge)
131	4032	Thread Upper Collar (to be used with Upper Hinge)
132	4033	Thread Upper Collar (to be used with Upper Hinge)
133	4034	Thread Upper Collar (to be used with Upper Hinge)
134	4035	Thread Upper Collar (to be used with Upper Hinge)
135	4036	Thread Upper Collar (to be used with Upper Hinge)
136	4037	Thread Upper Collar (to be used with Upper Hinge)
137	4038	Thread Upper Collar (to be used with Upper Hinge)
138	4039	Thread Upper Collar (to be used with Upper Hinge)
139	4040	Thread Upper Collar (to be used with Upper Hinge)
140	4041	Thread Upper Collar (to be used with Upper Hinge)
141	4042	Thread Upper Collar (to be used with Upper Hinge)
142	4043	Thread Upper Collar (to be used with Upper Hinge)
143	4044	Thread Upper Collar (to be used with Upper Hinge)
144	4045	Thread Upper Collar (to be used with Upper Hinge)
145	4046	Thread Upper Collar (to be used with Upper Hinge)
146	4047	Thread Upper Collar (to be used with Upper Hinge)
147	4048	Thread Upper Collar (to be used with Upper Hinge)
148	4049	Thread Upper Collar (to be used with Upper Hinge)
149	4050	Thread Upper Collar (to be used with Upper Hinge)
150	4051	Thread Upper Collar (to be used with Upper Hinge)

From the library of: Diamond Needle Corp

NUMERICAL LIST OF PARTS

No.	Plate	Name
32c	4025	Thread (lower) Cutting Blade Carrier Lever Hinge Screw
35b	4025	Bobbin Winder Stop Latch Hinge Screw, for 27923
52c	14971	Clamp Carrier Connecting Rod Hinge Screw
54c	4014	Knife Bar Driving Lever (intermediate) Connecting Link Hinge Screw
57c	4083	Knife Grinder Knife Holder Hinge Screw, for 39898
59b	14973	Clamp Lifting Arm Stop Pitman Hinge Screw (back)
61c	4020	Starting Lever Red Hinge Screw ..
67b	4008	Clamp Carrier Slide Lever Regulator Screw
78b	4021	Stop Lever Hinge Screw
90b	4058	Feed Hand Ratchet Lever Pawl Hinge Screw
90c	4058	Knife Bar Disengaging Lever Catch Hinge Screw
90c	4058	Knife Bar Disengaging Lever Hinge Screw
90c	4058	Tension Releasing Lever Hinge Screw
90c	4058	Thread (upper) Cutting Blade Opener Lever Hinge Screw
106c	4057	Thread (upper) Cutting Blade Connecting Rod Hinge Screw
123E	4020	Starting Lever Bracket Screw
124E	14979	" " Stop Screw
135b	4025	Bobbin Winder Tension Bracket Screw
145E	14973	Feed Connecting Rod Cap Screw, for 23672
145E	14973	Shuttle Race Screw
150c	4012	Feed Wheel Cap Screw
157E	4015	Clamp Lifting Arm Connection Roller and Screw Stud Bracket Screw
157b	4015	Knife Bar Disengaging Lever Catch Bracket Screw
157c	4015	Knife Holder Screw

No.	Plate	Name
158E	4024	Bed Frame Cushion Screw, for 39910
159F	4020	Starting Lever Belt Shifter Screw
168E	4025	Table Belt Guide Set Screw, for 23536
175D	4015	Knife Bar Disengaging Lever Catch Tripping Point Screw
176D	4083	Knife Grinder Knife Holding Spring Bracket Screw, for 39898
179E	14973	Feed Wheel Tripping Lever Stop Screw
181D	4013	Thread (upper) Cutting Blade Opener Lever Trip Bracket Screw
185H	4098	Feed Wheel Driving Lever Block Adjusting Screw Bracket Screw
190D	4013	Arm Side Cover Screw
190D	4013	Feed Wheel Tripping Lever Spring Screw
190C	4013	Needle Bar Frame Pitman Adjusting Screw, for 23676
190D	4013	Thread (upper) Cutting Blade Opener Lever Latch Screw
191C	14971	Clamp Arm Bracket Screw
191C	14971	Knife Screw
196F	14971	Clamp Arm Hinge Block Pin Set Screw, for 39584
196F	14971	Feed Wheel Driving Lever Pitman Cap Screw, for 23428
199D	4059	Clamp Lifting Arm Screw
200F	4057	Thread (upper) Cutting Lever Shaft Crank Set Screw, for 249523
201F	14979	Tension Releaser Set Screw, for 39632
203C	4012	Feed Wheel Tripping Lever Point Screw
203F	4012	Thread (upper) Cutting Blade Connecting Rod Spring Bracket Screw
206F	4057	Thread (upper) Cutting Lever Shaft Crank Latch Spring Screw, for 249523
207E	4012	Clamp Lifting Arm Connection Follower Cap Screw
207E	4012	Feed Hand Ratchet Lever Pawl Point Screw, for 39522
208D	4083	Knife Grinder Knife Stop Screw, for 39898
208E	4083	Thread Unwinder Thread Guide Rod Screw, for 225392

No.	Plate	Name
209C	---	Thread (upper) Cutting Blade Connecting Rod Collar (back) Set Screw, for 40043
211E	4024	Bed Frame Hinge Connection Cap Screw, for 19398
212D	14971	Clamp Check Holder Hinge Cap Screw
214D	4013	Feed Hand Ratchet Lever Pawl Spring Screw, for 23413 and 39567
217F	4025	Clamp Arm Bracket Guide (right) Screw
217F	4025	Face Plate Screw
217F	4025	Tension Thread Eyelet Screw
219F	4008	Clamp Arm Bracket Guide (left) Screw
219F	4008	Knife Grinder Knife Holder Slide Bracket Adjusting Screw Tension Spring Screw, for 39898
219F	4008	Thread (upper) Cutting Blade Screw, for 249503
220D	4012	Feed Wheel Tripping Point Screw, for 39552
223D	4008	Clamp Carrier Slide Lever Regulator Cap Screw
226D	14977	Oscillating Shaft Crank Slide Block Cap Screw, for 24050
228F	4058	Clamp Check Position Plate Screw
229D	4014	" Lifting Arm Connection Roller Cap Screw, for 1901
229D	4014	Knife Bar Driving Lever (intermediate) Roller Cap Screw, for 1959
229D	4014	Needle Bar Frame Regulator Roller Cap Screw, for 1956
233D	14973	Feed Wheel Retaining Clutch Spring Screw
236F	14980	Thread (upper) Cutting Blade Opener Lever Spring Screw
237D	4057	Clamp Check Holder Stop Screw..
237F	4057	Thread (upper) Cutting Blade Connecting Rod Collar (front) Set Screw, for 40044
240D	4015	Clamp Carrier Regulator Stud Stop Screw, for 40010
240D	4015	Knife Bar Disengaging Lever Stop Screw
240D	4015	Thread (lower) Cutting Blade Screw
375C	4025	Feed Connecting Rod Hinge Screw

Numerical List of Parts

No.	Plate	Name
389F	4025	Bobbin Winder Base Plate Screw..
389F	4025	" " " Screw, for 27924
391J	14979	Shuttle Race Ring Screw, for 39980
402D	14973	Clamp Plate Support Screw
404D	14971	" Carrier Block Plate Screw, for 40006
404D	14971	Clamp Carrier Plate Screw (front)
404D	14971	Feed Wheel Driving Lever Plate Screw
404D	14971	Needle Plate Screw
413F	14979	Stop Screw Stud
418D	4024	Bobbin Winder Tension Screw Stud, for 5989
435C	4058	Arm Shaft Flanged Bushing (back) Set Screw
435C	4058	Thread (lower) Cutting Blade Car- rier Lever Stop Screw
435C	4058	Thread Take-up Lever Link Hinge Pin Set Screw
446C	4025	Thread Take-up Spring Regulator Set Screw
448C	4015	Feed Eccentric Set Screw, for 23412
448C	4015	Feed Rock Shaft Hinge Pin Set Screw
448C	4015	Knife Bar Disengaging Lever Catch Tripping Point Collar Set Screw, for 23467
448C	4015	Oscillating Rock Shaft Hinge Pin Set Screw
448C	4015	Table Belt Guide Pulley Shaft Set Screw, for 14229
452C	4025	Bobbin Winder Thread Eyelet Rod Set Screw, for 27920
453C	4013	Feed Hand Ratchet Lever Collar Set Screw, for 23414
453C	4013	Needle Bar Frame Driving Bevel Pinion Set Screw, for 39967
457C	4012	Feed Wheel Shaft Oil Hole Plug Screw
457C	4012	Stop Cam Spring Stop Screw Set Screw
460C	4013	Feed Hand Ratchet Wheel Set Screw, for 23416
460C	4013	Thread Retainer Stud Set Screw ..
460C	4013	" Take-up Spring Thread Guard Set Screw
462C	14978	Shuttle Driver Set Screw, for 23505
564C	4020	Starting Lever Screw Center

Numerical List of Parts

No.	Plate	Name
591F	14978	Shuttle Tension Regulating Screw, for 39991
592E	14977	Shuttle Bobbin Case Latch Stop Screw, for 39991
602E	4098	Feed Wheel Driving Lever Block Lock Spring Screw, for 39597 ..
625F	4009	Clamp Arm Adjusting Screw
641C	14973	" Lifting Arm Connection Stop Screw
641C	14973	Thread (upper) Cutting Lever Set Screw, for 40051
641C	14973	Thread (upper) Cutting Lever Shaft Collar Set Screw, for 39661
646F	4057	Thread (upper) Cutting Blade Con- necting Rod Spring Collar Set Screw, for 40047
648D	14979	Shuttle Race Back Spring Screw, for 39982
662D	14979	Shuttle Race Cap Screw, for 39980
673E	14977	Needle Bar Frame Screw Center..
690D	14980	Thread (upper) Cutting Blade Opener Lever Trip Bracket Screw
717C	4020	Starting Lever Adjusting Screw ..
717C	4020	Thread (upper) Cutting Lever Stop Screw
721D	4098	Feed Wheel Retaining Clutch Spring Stop Screw
748E	4025	Arm Screw (back)
756D	14971	Clamp Carrier Guide (left) Screw (long), for 39605
766D	4057	Thread (upper) Cutting Lever Shaft Crank Latch Hinge Screw
769C	4098	Feed Wheel Driving Lever Block Adjusting Screw, for 39594
771D	4083	Knife Grinder Knife Holder Thumb Screw, for 39898
793D	4083	Knife Grinder Knife Holding Spring Thumb Screw, for 39898
794E	14973	Needle Bar Connecting Link Ad- justing Screw, for 23476
805C	4014	Knife Bar Driving Lever Spring Screw
808F	4025	Arm Top Cover Screw
858C	4025	Needle Bar Crank Set Screw, for 23477
858C	4025	Table Belt Guide Pulley Shaft Oil Hole Plug Screw, for 39708
868E	4025	Arm Screw (front)
896E	4025	Crank Connecting Rod Cap Screw, for 24028

No.	Plate	Name
898C	4098	Feed Wheel Driving Lever Block Adjusting Screw Clamping Screw, for 39594
898C	4098	Feed Wheel Retaining Clutch Cap Screw
904F	14977	Needle Set Screw, for 39600
905D	14981	Thread Guide Screw, for 19162 ...
906C	14980	" (upper) Cutting Blade Shaft Crank Set Screw, for 40050
908C	14973	Crank Connecting Rod Hinge Screw
913C	4021	Stop Cam Interlocking Rod Spring Regulating Thumb Screw
914F	4008	Clamp Carrier Slide Guide (left) Screw
914F	4008	Clamp Carrier Slide Guide (right) Screw
934H	14979	Thread (lower) Cutting Blade Friction Plate Screw
940F	4058	Clamp Lifting Arm Connection Lock Hinge Screw
940F	4058	Tension Releasing Lever Connection Screw (front)
966D	4025	Thread (upper) Cutting Lever Shaft Bracket Screw
974F	4058	Tension Releasing Lever Connection Screw (back)
997E	4021	Stop Cam Spring Cover Screw
999F	14979	Tension Releaser Holder Hinge Screw
1021E	14973	Needle Bar Connecting Link Cap Screw
1035C	14977	Oscillating Shaft Crank Slide Block Screw Stud, for 24050
1036C	14981	Thread Take-up Crank Position Screw, for 23477
1038C	14973	Needle Bar Frame Regulator Adjusting Screw
1042F	14973	Needle Bar Frame Pitman Hinge Screw
1049E	4013	Feed Hand Ratchet Lever Pawl Point Position Screw, for 39522..
1049E	4013	Feed Hand Ratchet Lever Pawl Stop Screw, for 23413
1064D	4025	Treadle Chain Guide Pulley Screw, for 39572
1065C	4025	Needle Bar Crank Position Screw, for 23477
1069D	4025	Arm Shaft Screw
1070C	4020	Stop Cam Interlocking Rod Guide Set Screw, for 23514

No.	Plate	Name
1144F	4057	Thread (upper) Cutting Lever Shaft Crank Latch Spring Screw, for 40057
1222C	4014	Knife Bar Driving Lever (intermediate) Hinge Screw
1230F	14971	Clamp Carrier Guide (right) Screw
1231F	14971	" Arm Screw
1231F	14971	" Carrier Plate Screw (back)..
1232C	14971	" " Regulator Hinge Screw
1234C	4008	" " Slide Regulating Stud.
1235F	4009	Bed Oil Guard Screw
1235F	4009	Clamp Plate Screw
1236E	4012	Feed Wheel Driving Lever Regulating Stud
1237C	4012	Feed Wheel Friction Ring Screw..
1239D	4015	Knife Bar Connecting Link Hinge Cap Screw
1240C	4015	Knife Bar Connecting Link Hinge Screw
1241E	4015	Knife Bar Disengaging Lever Catch Spring Screw Stud
1241E	4015	Thread (lower) Cutting Blade Carrier Lever Spring Screw Stud ...
1241E	4015	Thread (upper) Cutting Lever Spring Screw Stud
1242E	4015	Knife Bar Disengaging Lever Spring Screw
1243C	4014	Knife Holder Guide Stud
1244C	14973	Needle Bar Frame Cam and Bevel Gear Screw
1253C	14977	Oscillating Shaft Crank Set Screw, for 39658
1255D	14973	Clamp Lifting Arm Connection Lock Trip Lever Screw
1256D	4008	Clamp Carrier Slide Screw
1257E	4012	Feed Wheel Tripping Lever Hinge Screw
1258C	14981	Thread Take-up Crank Set Screw, for 23477
1290C	4014	Knife Bar Driving Lever Hinge Screw
1294C	4009	Clamp Spring Bushing Position Stud
1296C	14971	Clamp Check Hinge Screw
1319F	4015	Knife Bar Connecting Stud Clamping Screw, for 23462
1341C	14973	Needle Bar Connecting Stud Set Screw, for 39601
1345D	4059	Clamp Carrier Guide (left) Screw (short), for 39605

No.	Plate	Name
1348c	4098	Clamp Check Section and Cutting Plate Support Stud, for 249502 ..
1349c	14979	Stop Cam Spring Stop Screw
1350c	14980	Thread (lower) Pull-off Finger Hinge Screw
1351c	14971	Thread (lower) Cutting Lever Ball Screw
1352c	4057	Thread (upper) Cutting Lever Lock Pin Screw Bushing
1387c	14979	Tension Releaser Guide Screw Stud
1428c	4014	Knife Bar Driving Lever Screw Stud
1508E	4020	Starting Lever Screw Center Nut..
1517E	14977	Needle Bar Frame Screw Center Nut
1518E	4025	Feed Connecting Rod Hinge Screw Nut
1518E	4025	Starting Lever Stop Screw Nut ...
1520E	4012	Clamp Carrier Regulator Roller and Screw Stud Nut, for 1960
1520E	4012	Clamp Carrier Slide Lever Roller and Screw Stud Nut, for 1960 ..
1520J	4012	Clamp Lifting Arm Connection Follower Hinge Screw Nut
1520E	4012	Feed Wheel Friction Ring Screw Nut
1520E	4012	Knife Bar Driving Lever Screw Stud Nut
1520E	4012	Starting Lever Adjusting Screw Nut
1520E	4012	Thread (lower) Cutting Blade Carrier Lever Stop Screw Nut ...
1520E	4012	Thread (lower) Cutting Lever Ball Screw Nut
1520E	4012	Thread (upper) Cutting Lever Stop Screw Nut
1521E	14979	Tension Releaser Guide Screw Stud Nut
1547D	4009	Clamp Arm Adjusting Screw Nut ..
1547c	4009	Knife Holder Screw Nut
1547D	4009	Needle Bar Frame Pitman Hinge Screw Nut
1550H	4009	Clamp Spring Bushing Position Stud Nut
1560c	14979	Tension Regulating Thumb Nut ..
1562J	4024	Bobbin Winder Tension Regulating Thumb Nut, for 5989
1589c	14973	Needle Bar Frame Regulator Adjusting Screw Thumb Nut

No.	Plate	Name
1608c	4014	Knife Holder Guide Stud Nut
1611E	4059	Clamp Lifting Arm Stop Hinge Screw Nut
1619E	4025	Crank Connecting Rod Hinge Screw Nut
1620J	14981	Bobbin Winder Frame Hinge Screw Nut, for 27923
1636E	14977	Oscillating Shaft Crank Slide Block Screw Stud Nut, for 39658
1638E	4021	Stop Cam Interlocking Rod Spring Regulating Thumb Screw Nut ..
1655E	14977	Needle Bar Frame Regulator Roller and Screw Stud Nut, for 1956 ..
1658c	4008	Clamp Carrier Slide Regulating Stud Thumb Nut
1658A	4008	Feed Wheel Driving Lever Regulating Stud Thumb Nut
1659c	4009	Clamp Pressure Regulating Thumb Nut
1671c	4009	Clamp Carrier Regulator Stud Nut
1673c	4014	Knife Bar Stop Lock Nut, for 39565
1901	4059	Clamp Lifting Arm Connection Roller and Screw Stud with 229D and 12424
1956	14973	Needle Bar Frame Regulator Roller and Screw Stud with 229D, 1655E and 23389, for 23677
1959	4014	Knife Bar Driving Lever (intermediate) Roller and Screw Stud with 229D and 12424, for 23514 ..
1960	14971	Clamp Carrier Regulator Roller and Screw Stud with 1520E, for 40010
1960	14971	Clamp Carrier Slide Lever Roller and Screw Stud Nut with 1520E, for 23394
1963	4015	Knife Bar Disengaging Lever Catch Roller and Stud, for 23464
2080		Shuttle Bobbin Case Thread Guide Rivet, for 15628
2103	14979	Tension Spring
2117	4012	Feed Wheel Pin
2117	4012	Thread (upper) Cutting Lever Pin
2254	4098	Feed Wheel Retaining Clutch
2256	4098	" " " " Spring
2269	14978	Shuttle Driver Pin
2269	14978	Thread (upper) Cutting Blade Shaft Crank Pin, for 249503
2273	4057	Thread (upper) Cutting Blade Connecting Rod Collar (front) Pin

Numerical List of Parts

No.	Plate	Name
2455	4024	Bobbin Winder Tension Disc, for 5989
2523	14977	Shuttle Bobbin Case Position Finger Rivet, for 39991
2532	14978	Shuttle Race Back Position Pin, for 39982
2533	14979	Shuttle Race Back Spring, for 39982
2973	14977	" Bobbin Case Latch Lever, for 15141
2974	14977	Shuttle Bobbin Case Latch Lever Fulcrum Pin, for 15141
2975	14977	Shuttle Bobbin Case Latch Spring, for 39991
3012	4013	Feed Hand Ratchet Wheel Pin ...
4784	4013	Arm Shaft Oil Pad
4784	4013	Oscillating Rock Shaft Oil Pad, for 39654
4784	4013	Thread Take-up Lever Oil Pad, for 23478
5989	—	Bobbin Winder Tension complete, Nos. 418D, 1562J, 10141 and two 2455, for 41336
7070	14973	Feed Wheel Driving Lever Regulating Stud Sleeve
7070	14973	Needle Bar Frame Regulator Adjusting Screw Sleeve
7071	4008	Needle Bar Frame Pitman Adjusting Screw Washer, for 23676 ...
7071	4008	Thread (upper) Cutting Blade Connecting Rod Spring Bracket Screw Washer
7071	4008	Thread (upper) Cutting Blade Opener Lever Latch Screw Washer
7278	4008	Clamp Carrier Slide Lever Socket Joint
7326	14978	Shuttle Race Cap, for 39980
7585	4010	Treadle Shaft, for 14358
8582	4013	Arm Dowel Pin
8582	4013	Starting Lever Bracket Dowel Pin
9525	4083	Knife Grinder Knife Holder Thumb Screw Washer, for 39898
9525	4083	Thread (upper) Cutting Blade Opener Lever Trip Bracket Screw Washer
9540	4021	Stop Lever Spring
9780	4021	" Cam Spring Cover Position Pin, for 23517
10141	4024	Bobbin Winder Tension Spring, for 5989

Numerical List of Parts

No.	Plate	Name
10145	4024	Bobbin Winder Tension Thread Guide, for 41336
10249	4083	Knife Grinder Knife Holder Slide Bracket Adjusting Screw Tension Spring, for 39898
10875	4028	Wrench, for 1518 and 1520
11204	14981	Thread Take-up Lever Link Hinge Pin
11831	4028	Screw Driver, 5 in. blade (machine, large)
12166	14981	Thread Take-up Lever Hinge Pin, for 23525
*12204	—	Feed Connecting Rod Cap, for 23672
12357	14970	Arm Shaft Flanged Bushing (back)
12399	—	Thread Retainer complete, Nos. 12400 to 12402
Nos. 12400 to 12402, for 12399		
12400	14981	Thread Retainer Sleeve
12401	14981	" " Spring
12402	14981	" " Stud
12424	4014	Clamp Lifting Arm Connection Roller Cap Screw Washer, for 1901
12424	4014	Knife Bar Driving Lever (intermediate) Roller Cap Screw Washer, for 1959
12424	4014	Oscillating Shaft Crank Slide Block Cap Screw Washer, for 24050 ..
12538	14980	Thread (upper) Cutting Lever Shaft Collar Pin
12648	14980	Thread (upper) Cutting Blade Opener Lever Spring
13218	4013	Feed Hand Ratchet Lever Pawl Spring
14010	4024	Bed Frame Hinge Plate Rivet, for 39910
14017	4012	Feed Wheel Friction Ring Screw Washer
14174	14979	Starting Lever Spring
14209	14969	Treadle, for 14358
14229	4047	Table Belt Guide Bracket with 448c, for 39709 and 39716
14357	14969	Treadle Stand, for 14358
14358	14969	Treadle complete, Nos. 7585, 14209, 14357 and two wood screws 1 1/2 in., No. 12
15072	14981	Bobbin Winder Bobbin Position Pin, for 27538

Numerical List of Parts

No.	Plate	Name
15140	14977	Shuttle Bobbin Case Latch, for 15141
15141	—	Shuttle Bobbin Case Hinge, Nos. 2973, 2974 and 15140, for 39991..
15628	14977	Shuttle Bobbin Case Thread Guide with two 2080, for 39991
16555	4024	Bed Frame Hinge Plate, for 39910..
Nos. 19159 to 19161, for 19162		
19159	14981	Thread Guide Body
19160	14981	" " Roller
19161	14981	" " Cap
19162	—	Thread Guide complete, Nos. 905D and 19159 to 19161
19226	4024	Bed Frame Hinge Connection, for 19398
19397	4024	Bed Frame Hinge Connection Cap, for 19398
19398	—	Bed Frame Hinge Connection 19226 with 211E and 19397, for 39910 ..
19448	14977	Oscillating Shaft Crank Slide Block, for 24050
21643	4020	Starting Lever Belt Shifter
21651	4021	Stop Cam Interlocking Rod Spring
21654	4028	Wrench, for 1508 and 1538
21699	4098	Thread (upper) Cutting Blade Posi-Pin, for 40049
23352	14969	Arm Shaft
23379	14971	Clamp Arm Hinge Block
23380	14971	" " " " Pin
23384	14971	" Carrier Connecting Rod
23389	14977	Needle Bar Frame Regulator Roller Cap Screw Washer, for 1956
23390	4014	Knife Screw Washer
23392	4008	Clamp Carrier Slide Guide (left) ..
23393	4008	" " " " (right)..
23394	14970	" " " Lever with 1960
23395	14970	" " " " Regulator
23396	4008	" " " " " "
Cap		
23397	4008	Clamp Carrier Slide Regulating Stud Bushing
23404	4009	Clamp Spring
23406	14969	Face Plate
23412	4013	Feed Eccentric with 448c
23413	14974	" Hand Ratchet Lever with 214D and 1049E
23414	4013	Feed Hand Ratchet Lever Collar with two 453c

Numerical List of Parts

No.	Plate	Name
23416	4013	Feed Hand Ratchet Wheel with 460c
23418	14974	Feed Rock Shaft, for 23419
23419	—	Feed Rock Shaft complete, Nos. 23418 and 23420
23420	14974	Feed Rock Shaft Hinge Pin with 23421, for 23419
23421	4013	Feed Rock Shaft Hinge Pin Plug (leather), for 23420
23421	4013	Oscillating Rock Shaft Hinge Pin Oil Hole Plug (leather), for 23494
23424	4010	Feed Wheel Driving Lever
23427	4010	" " " " Plate ..
23428	4012	" " " " Pitman with 23429, 50088c and two 196E
*23429	—	Feed Wheel Driving Lever Pitman Cap, for 23428
23431	4010	Feed Wheel Shaft
23432	4012	" " Tripping Point, for 39552
23433	4010	Feed Wheel Tripping Lever
23435	4013	" " " " Spring
23460	4010	Knife Bar
23461	4015	" " Connecting Link
23462	4015	" " " Stud with 1319E
23463	4015	" " Disengaging Lever
23464	4015	" " " " Catch with 1963
23465	4015	Knife Bar Disengaging Lever Catch Bracket
23466	4015	Knife Bar Disengaging Lever Catch Tripping Point
23467	4015	Knife Bar Disengaging Lever Catch Tripping Point Collar with two 448c
23468	4015	Knife Bar Disengaging Lever Catch Spring
23469	4010	Knife Bar Driving Lever
23470	4010	" " " " (intermediate)
23471	4014	Knife Bar Driving Lever (intermediate) Connecting Link
23473	4014	Knife Holder
23476	14973	Needle Bar Connecting Link with 794E
23477	4010	Needle Bar Crank with 858c, 1036c, 1065c and 1258c
23478	14969	Needle Bar Frame with 4784
23494	14974	Oscillating Rock Shaft Hinge Pin with 23421, for 39654

No.	Plate	Name
23497	14975	Pulley (loose)
23499	14975	" (tight) Counterbalance, for 23517
23500	14977	Shuttle Bobbin, for 39993
23503	14978	" Body, for 39993
23505	14979	" Driver with 462c
23510	14975	Starting Lever Bracket
23511	14975	" " Rod
23514	4020	Stop Cam Interlocking Rod Guide with 1070c and 1959
23515	4021	Stop Cam Spring (long)
23516	4021	" " " (short)
23517	14975	" " " Cover with 23499, two each 9780 and 28034
23518	4010	Stop Lever
23523	14981	Thread Take-up Crank
23524	14981	" " Lever, for 23525 ...
23525	—	Thread Take-up Lever complete, Nos. 12166, 23524 and 23543
23526	14981	Thread Take-up Spring Regulator
23527	—	Drip Pan with two wood screws $\frac{1}{2}$ in., No. 5, R.H.B.
23530	14981	Gauge, for $\frac{1}{4}$ to $\frac{3}{4}$ in., for setting length of buttonhole
23535	4028	Wrench, for 1671, for regulating length of buttonhole
23536	4047	Table Belt Guide with two 168E, for 39709 and 39716
23538	14969	Table Belt Guide Pulley, for 39709 and 39716
23543	14981	Thread Take-up Lever Link, for 23525
23548	4014	Knife Bar Stop Plug (fibre), for 39565
23551	4024	Treadle Chain Screw Eye
		Nos. 23552 to 23554, for 23555
23552	4010	Feed Wheel Friction Ring Section (long)
23553	4010	Feed Wheel Friction Ring Section (short)
23554	4012	Feed Wheel Friction Ring Spring
23555	—	Feed Wheel Friction Ring complete, Nos. 23552 to 23554
23573	14972	Clamp Plate Support
23574	4009	" Post
23587	4012	Feed Wheel Tripping Lever Point
23606	4015	Knife Bar Disengaging Lever Spring

No.	Plate	Name
23606	4015	Thread (upper) Cutting Blade Con- necting Rod Spring
23610	—	Needle Bar Frame Pitman (hinge screw end), for 23676
23667	14977	Needle Bar Frame Regulator Stud
23669	14981	Thread Take-up Spring Thread Guard
23672	14972	Feed Connecting Rod with 12204 and two 145E
23675	—	Needle Bar Frame Pitman (regu- lator end), for 23676
23676	14974	Needle Bar Frame Pitman (adjust- able) complete, Nos. 23610, 23675, two each 190c and 7071
23677	14974	Needle Bar Frame Regulator with 1956
23681	4014	Knife Bar Driving Lever Spring ..
23682	4014	" " Spring
23693	4009	Clamp Spring Bushing
24028	14972	Crank Connecting Rod with 24085 and two 896E
24047	4013	Oscillating Shaft Bushing (front)
24050	—	Oscillating Shaft Crank Slide Block complete, Nos. 226D, 1035c, 12424 and 19448, for 39658
*24081	—	Arm Shaft Bushing (front), for 39644
24085	—	Crank Connecting Rod Cap, for 24028
24106	4024	Bed Frame Cushion (felt), for 39910
26026	4028	Screw Driver, Nos. 120088 and 120090
26485	4028	Screw Driver, Nos. 120092 and 120094
27302	4029	Bobbin Winder Frame, for 27923 ..
27538	4029	" " Spindle with 15072, for 27923
27914	4029	Bobbin Winder Base with 27916 and two 28084, for 27923
27915	4029	Bobbin Winder Base Plate, for 27924
27916	4024	Bobbin Winder Brake (leather), for 27914
		Nos. 27917 to 27919, for 27923
27917	4024	Bobbin Winder Frame Spring
27918	4029	" " Pulley
27919	4029	" " Stop Latch
27920	4029	" " Tension Bracket with 452c, for 41336

No.	Plate	Name
27921	4029	Bobbin Winder Tension Bracket with Rod complete, Nos. 27922 and 41336, for 27924
27922	4029	Bobbin Winder Thread Eyelet Rod, for 27921
27923	4029	Bobbin Winder, Nos. 35D, 1620J, 27302, 27538, 27914, 27917 to 27919 50356D, for 27924
27924	—	Bobbin Winder (swinging automatic, right hand) complete, Nos. 27915, 27921, 27923 and two 389F
28034	4020	Pulley (tight) Counterbalance Rivet, for 23517
28084	4024	Bobbin Winder Brake Rivet, for 27914
32012	14979	Tension Disc
39504	14973	Feed Wheel Driving Lever Block Adjusting Screw Clamping Screw Washer, for 39594
39504	14973	Feed Wheel Retaining Clutch Cap Screw Washer
39522	14974	Feed Hand Ratchet Lever Pawl complete, Nos. 207E, 39523, 39567 and two 1049E
39523	4012	Feed Hand Ratchet Lever Pawl Point, for 39522
39532	14971	Clamp Carrier Regulator Stud Sleeve
39538	4047	Bed Oil Guard
39541	14973	Clamp Arm Bracket Screw Washer
39541	14973	" Lifting Arm Connection Roller and Screw Stud Bracket Screw Washer
39544	14970	Clamp Carrier Regulator Slide ..
39552	14969	Feed Wheel with 23432 and two 220D
39565	—	Knife Bar Stop complete, Nos. 1673C, 23548 and 39566
39566	4014	Knife Bar Stop, for 39565
39567	—	Feed Hand Ratchet Lever Pawl with 214D, for 39522
39569	—	Treadle Chain, 45 in. long, with 39575 and 39576
39570	4047	Treadle Chain Guide Bracket, for 39572
39571	4047	Treadle Chain Guide Pulley, for 39572
39572	4047	Treadle Chain Guide complete, Nos. 39570, two each 1064D, 39571 and wood screws 1½ in., No. 12, R.H.B.

No.	Plate	Name
39575	4024	Treadle Chain Hook (lower), for 39569
39576	4024	Treadle Chain Hook (upper), for 39569
39580	14975	Stop Cam Interlocking Rod
39583	14971	Clamp Carrier Regulator Stud Stop, for 40010
39584	14970	Clamp Arm Bracket with 196F
39591	14971	" Carrier Guide (left), for 39605
39594	4098	Feed Wheel Driving Lever Block Adjusting Screw Bracket with 769C, 898C and 39504
39595	4098	Feed Wheel Retaining Clutch Cap
39596	4098	" " " " Stud
39597	4098	" " " " Driving Lever Block with 602E and 39598
39598	4098	Feed Wheel Driving Lever Block Lock Spring, for 39597
39600	14974	Needle Bar with 904F
39601	14973	" " Connecting Stud with 1341C
*39603	—	Bed
39604	4055	Clamp Carrier Plate
39605	14969	" " Slide with 1345D, 39591 and two 756D
39610	4057	Thread (upper) Cutting Blade Connecting Rod
39611	4057	Thread (upper) Cutting Blade Connecting Rod Spring Bracket
39620	14970	Arm Side Cover
39623	14977	Shuttle Bobbin Case Position Finger, for 39991
39627	4053	Starting Lever
39628	4059	Stop Cam with 39629 and 202330 ..
39629	4059	" " Pin, for 39628
39632	—	Tension Releaser Holder with 201F
39633	4058	" Releasing Lever
39634	4058	" " " Connection
39636	14979	" Thread Eyelet (double) ...
39637	4021	Stop Cam Spring Stop Block
39638	4021	" " " " Screw Block
*39644	—	Arm with 24081
39645	4059	Clamp Carrier Guide (right)
39647	14970	" Arm
39650	14971	" Check Holder
39652	4009	Thread Take-up Spring
39653	14974	Oscillating Rock Shaft, for 39654 ..
39654	—	Oscillating Rock Shaft complete, Nos. 4784, 23494 and 39653

Numerical List of Parts

No.	Plate	Name
39655	14974	Oscillating Shaft
39656	14977	" " Bushing (back)..
39657	—	" " Crank, for 39658..
39658	14977	Oscillating Shaft Crank complete, Nos. 1636E, 24050, 39657 and two 1253C
39659	4055	Arm Top Cover
39660	14979	Tension Releaser
39661	14980	Thread (upper) Cutting Lever Shaft Collar with 641c
39708	4047	Table Belt Guide Pulley Shaft with 858c, for 39709 and 39716
39709	4047	Table Belt Guide (single, right) complete, Nos. 14229, 23536, 23538, 39708 and four wood screws 1¼ in., No. 12, R.H.B.
39715	14971	Clamp Check Holder Stop Screw Washer
39716	4047	Table Belt Guide (single, left) com- plete, Nos. 14229, 23536, 23538, 39708 and four wood screws 1¼ in., No. 12, R.H.B.
39734	14980	Thread (upper) Clamping Blade, for 249503
39735	14980	Thread (upper) Cutting Blade, for 249503
39736	4058	Thread (lower) Cutting Blade Car- rier Lever Spring
39754	14980	Thread (upper) Cutting Blade Opener Lever
39755	14980	Thread (upper) Cutting Blade Opener Lever Latch
Nos. 39886 to 39897, for 39898		
39886	—	Knife Grinder Emery Wheel, 4 in. diameter
39887	4083	Knife Grinder Emery Wheel Driv- ing Shaft
39888	4083	Knife Grinder Emery Wheel Driv- ing Shaft Oil Hole Cover
39889	4082	Knife Grinder Frame
39890	4086	" " Knife Holder (adjust- able)
39891	4083	Knife Grinder Knife Holder Indi- cator
39892	4086	Knife Grinder Knife Holder Slide Bracket with 200386c
39893	4086	Knife Grinder Knife Holder Slide Bracket Adjusting Screw Slide Plate

Numerical List of Parts

No.	Plate	Name
39894	4086	Knife Grinder Knife Holder Slide Bracket Shaft
39895	4083	Knife Grinder Knife Holding Spring
39896	4083	" " " " " "
39897	4083	Bracket
39897	4083	Knife Grinder Knife Stop (adjust- able)
39898	—	Knife Grinder complete, Nos. 57c, 176D, 208D, 219F, 771D, 793D, 9525, 10249, 39886 to 39897, 200165U, 201298C, 201510D, 203094, 204101, 206963, 350068E, two each 200577U, 204264, 206232, 206969 and three wood screws 1¼ in., No. 12
Nos. 39910 to 39912, for 39913		
39910	4082	Bed Frame with two each 16555, 19398, four each 158E, 24106, six 14010 and four wood screws 1¼ in., No. 12
39911	4084	Splash Guard with 201655J
39912	4083	" " Hinge
39913	—	Bed Frame and Splash Guard com- plete, Nos. 39910, 39911, two 39912 and eight 200574E
39927	14975	Pulley 40024 with 40025
39958	—	Knife, ¾ inch
39959	—	" ⅞ inch
39960	14973	" ½ inch
39961	—	" ⅝ inch
39962	—	" ⅞ inch
39963	—	" 1½ inch
39964	—	" ¾ inch
39967	14974	Needle Bar Frame Driving Bevel Pinion with two 453c
39968	14974	Needle Bar Frame Cam and Bevel Gear
39969	14978	Shuttle Race Back, for 39982
39979	—	" " Body, for 39980
39980	—	" " " 39979 with 7326, 39981, two each 391J and 662D, for 39982
39981	14978	Shuttle Race Ring, for 39980
39982	14978	Shuttle Race complete, Nos. 648D, 2533, 39969, 39980 and two 2532 ..
39988	14979	Stop Cam Interlocking Rod Guide Washer (rawhide)
39991	14977	Shuttle Bobbin Case complete, Nos. 591F, 592E, 2523, 2975, 15141, 15628, 39623 and 39992, for 39993

No.	Plate	Name
39992	14977	Shuttle Tension Spring, for 39991..
39993	14977	" 1½ in. diam., Nos. 23500, 23503 and 39991
40003	4098	Clamp Arm Bracket Guide (left)..
40004	4098	" " " " (right)..
40006	14971	" Carrier Block with 40007 and four 404b
40007	—	Clamp Carrier Block Plate, for 40006
40010	14970	Clamp Carrier Regulator with 240b, 1960 and 39583
40016	4059	Clamp Lifting Arm Connection Rol- ler and Screw Stud Bracket
40017	4059	Clamp Lifting Arm Stop
40019	14972	" " " " Pitman ..
40020	4055	" Plate
40024	—	Pulley (tight), for 39927
40025	14977	" " Pin, for 39927
40036	4058	Thread (lower) Cutting Blade Car- rier with 40038
40037	14976	Thread (lower) Cutting Blade Car- rier Lever
40038	4058	Thread (lower) Cutting Blade Car- rier Stud, for 40036
40043	4057	Thread (upper) Cutting Blade Con- necting Rod Collar (back) with 209c
40044	4057	Thread (upper) Cutting Blade Con- necting Rod Collar (front) with 237F
40045	4057	Thread (upper) Cutting Blade Con- necting Rod Collar (front) Wash- er (rawhide)
40047	4057	Thread (upper) Cutting Blade Con- necting Rod Spring Collar with 646F
40049	4098	Thread (upper) Cutting Blade Shaft with 21699, for 249503
40050	4098	Thread (upper) Cutting Blade Shaft Crank with 906c, for 249503
40051	14976	Thread (upper) Cutting Lever with 641c
40052	4057	Thread (upper) Cutting Lever Lock Pin
40053	4057	Thread (upper) Cutting Lever Lock Pin Spring
40054	14976	Thread (upper) Cutting Lever Shaft
40057	4057	Thread (upper) Cutting Lever Shaft Crank Latch

No.	Plate	Name
40058	4057	Thread (upper) Cutting Lever Shaft Crank Latch Spring
40059	4057	Thread (upper) Cutting Lever Shaft Crank Latch Stop Pin, for 249523
40060	14980	Thread (upper) Cutting Lever Spring
40067	14976	Thread (upper) Cutting Lever Shaft Bracket
41336	—	Bobbin Winder Tension Bracket complete, Nos. 5989, 10145 and 27920, for 27921
41401	14969	Machine Rest Pin (wood)
50088c	14973	Feed Wheel Driving Lever Pitman Ball Joint Screw, for 23428
50138E	14971	Clamp Check Section and Cutting Plate Screw, for 249502
50356D	14981	Bobbin Winder Frame Hinge Screw, for 27923
60913	14263	Spool Weight with 60914
60914	—	" " Center Pin, for 60913
*120088	—	Screw Driver Blade, for 26026
*120090	—	" " Handle, for 26026
*120092	—	" " Blade, for 26485
*120093	—	" " Ferrule, for 120094 ..
*120094	—	" " Handle with 120093, for 26485
120346	14969	Oiler (copper plated) with 120347
120347	14969	" Spout, 9 in. long, for 120346
200165H	11658	Knife Grinder Knife Holder Indi- cator Screw, for 39898
200383c	14981	Thread Unwinder Spool Rest Rod Set Screw, for 202490
200386c	11658	Knife Grinder Knife Holder Slide Bracket Set Screw, for 39892 ...
200403c	11658	Knife Grinder Emery Wheel Driv- ing Shaft Pulley Set Screw, for 206963
200574E	11658	Splash Guard Hinge Screw, for 39913
200577H	11658	Knife Grinder Knife Holder Slide Bracket Adjusting Screw Slide Plate Screw, for 39898
201018c	14981	Thread Unwinder Spool Rest Set Screw, for 225395
201052c	11658	Knife Grinder Knife Holder Slide Bracket Shaft Collar Set Screw, for 206232
201295E	14973	Clamp Lifting Arm Connection Lock Spring Screw Stud

No.	Plate	Name
201298c	11658	Knife Grinder Knife Holder Slide Bracket Adjusting Screw, for 39898
201510D	11658	Knife Grinder Emery Wheel Driving Shaft Nut, for 39898
201655J	11658	Splash Guard Locking Screw Wing Nut, for 39911
201696J	14981	Thread Unwinder Thread Guide Lock Nut, for 225396
202330	—	Stop Cam Oil Packing (wick), for 39628
202490	14263	Thread Unwinder Spool Stand with 200383c, for 225396
202784	14969	Clamp Lifting Lever Chain Hook, for 249525 and 249526
203094	11658	Knife Grinder Knife Holder Indicator Position Pin, for 39898 ...
204101	11658	Knife Grinder Emery Wheel Driving Shaft Nut Washer, for 39898
204264	11658	Knife Grinder Knife Holding Spring Bracket Position Pin, for 39898..
204264	11658	Knife Grinder Knife Holding Spring Position Pin, for 39898
206232	11658	Knife Grinder Knife Holder Slide Bracket Shaft Collar with 201052c, for 39898
206963	11658	Knife Grinder Emery Wheel Driving Shaft Pulley with two 200403c, for 39898
206969	—	Knife Grinder Emery Wheel Washer (paper), for 39898
225016	14981	Clamp Lifting Lever Hinge Pin, for 249527
225377	14263	Spool Wire (for small spools)
225388	14263	Thread Unwinder Spool Rest Rod, for 225396
225391	14263	Thread Unwinder Thread Guide, for 225396
225392	14263	Thread Unwinder Thread Guide Rod with 208E and 225393, for 225396
225393	14981	Thread Unwinder Thread Guide Rod Washer, for 225392
225395	14263	Thread Unwinder Spool Rest (for two spools) with 201018c, for 225396

No.	Plate	Name
225396	14263	Thread Unwinder (for two spools) complete, Nos. 201696J, 202490, 225388, 225392, 225395, two 225391 and three wood screws $\frac{3}{8}$ in., No. 12
225532	14973	Clamp Lifting Arm Connection Roller and Screw Stud Washer
227953	14969	Clamp Lifting Lever Stand with two wood screws 1 in., No. 12, for 249527
227954	14969	Clamp Lifting Lever Chain Hook (double), for 249524
232065	14973	Clamp Lifting Arm Connection Lock Spring
249501	14970	Clamp Carrier
249502	14971	" Check with 249505, two each 1348C and 50138F, for 249503
249503	—	Clamp Check complete, Nos. 219F, 2269, 39734, 39735, 40049, 40050 and 249502
249504	14971	Clamp Check Position Plate
249505	14971	" " Section and Cutting Plate, for 249502
249506	14972	Clamp Lifting Arm
249507	14972	" " " Connection ..
249508	14971	" " " " Fol-lower
249509	14971	Clamp Lifting Arm Connection Fol-lower Cap
249510	14973	Clamp Lifting Arm Connection Fol-lower Spring
249511	14972	Clamp Lifting Arm Connection Lock
249512	14972	" " " " " Trip Lever
249513	14973	Clamp Lifting Arm Connection Stop
249514	14972	" " " Stop Bracket ..
249515	—	Knife, $\frac{1}{4}$ inch
249516	14977	Needle Plate
249517	14979	Thread (lower) Cutting Blade
249518	14979	" " " " Friction Plate
249519	14976	Thread (lower) Cutting Lever
249522	14980	" (upper) Cutting Blade Opener Lever Trip Bracket
249523	14980	Thread (upper) Cutting Lever Shaft Crank with two each 200F and 40059

Nos. 249524 to 249526, for 249527

No.	Plate	Name
249524	14969	Clamp Lifting Lever with 227954 ..
249525	14969	“ “ “ Chain, 34½ in. long, with two 202784
249526	14969	Clamp Lifting Lever Chain, 12½ in. long, with two 202784
249527	14969	Clamp Lifting Lever complete, Nos. 225016, 227953 and 249524 to 249526
249528	14980	Thread (lower) Pull-off Finger ...
350068E	14981	Knife Grinder Emery Wheel Driv- ing Shaft Oil Hole Cover Screw, for 39898
350076C	14971	Clamp Carrier Regulator Stud (to length of buttonhole)
350205D	14973	Clamp Lifting Arm Connection Follower Hinge Screw
350206E	14973	Clamp Lifting Arm Stop Hinge Screw
350207D	14973	Clamp Lifting Arm Stop Pitman Hinge Screw (front)
350209C	14980	Thread (lower) Pull-off Finger Screw Stud

ILLUSTRATIONS OF PARTS
FOR
MACHINE No. 71-53

PLATE 4008—FULL SIZE

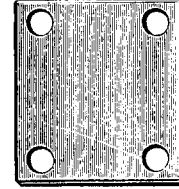
23392



23393



23396



914



223



1234



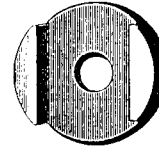
23397



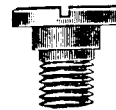
67



7278



1256



109



1658



7071



219



ILLUSTRATIONS OF PARTS

MACHINE No. 11-23

PLATE 4009—FULL SIZE

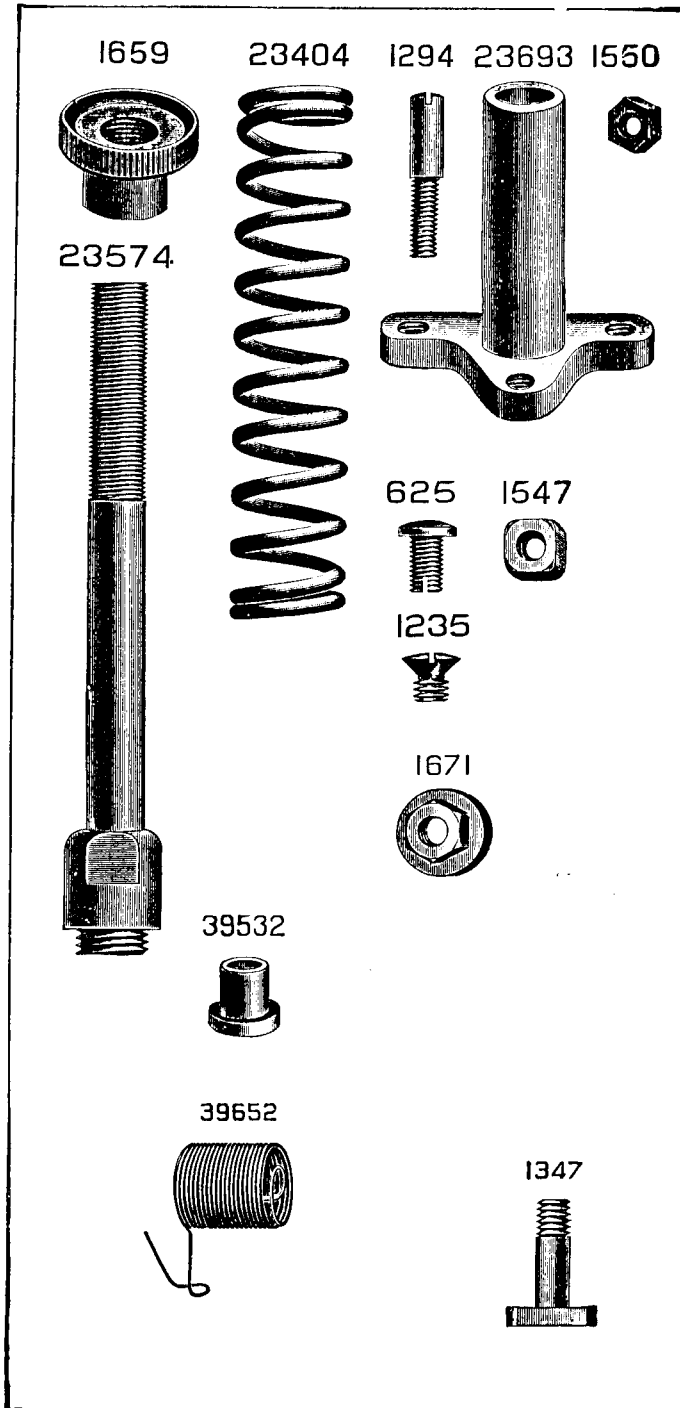


PLATE 4010—ONE-HALF SIZE

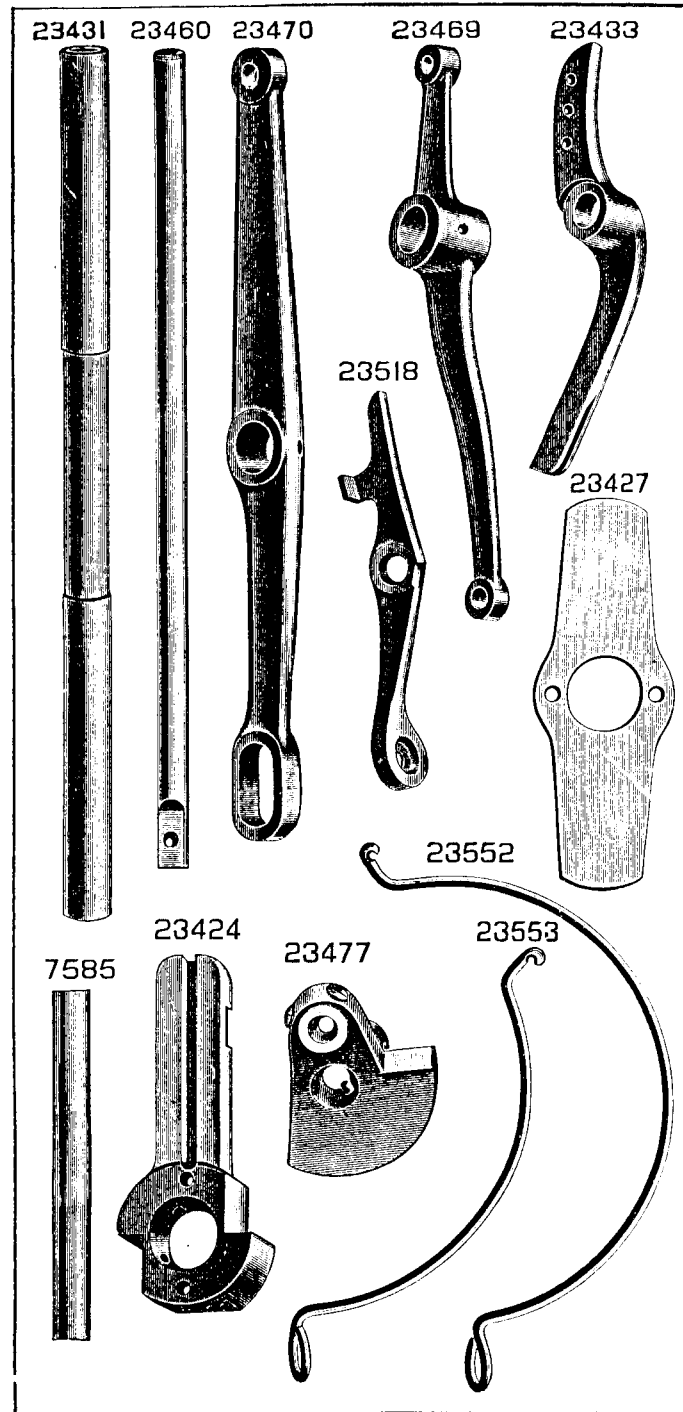


PLATE 4012—FULL SIZE

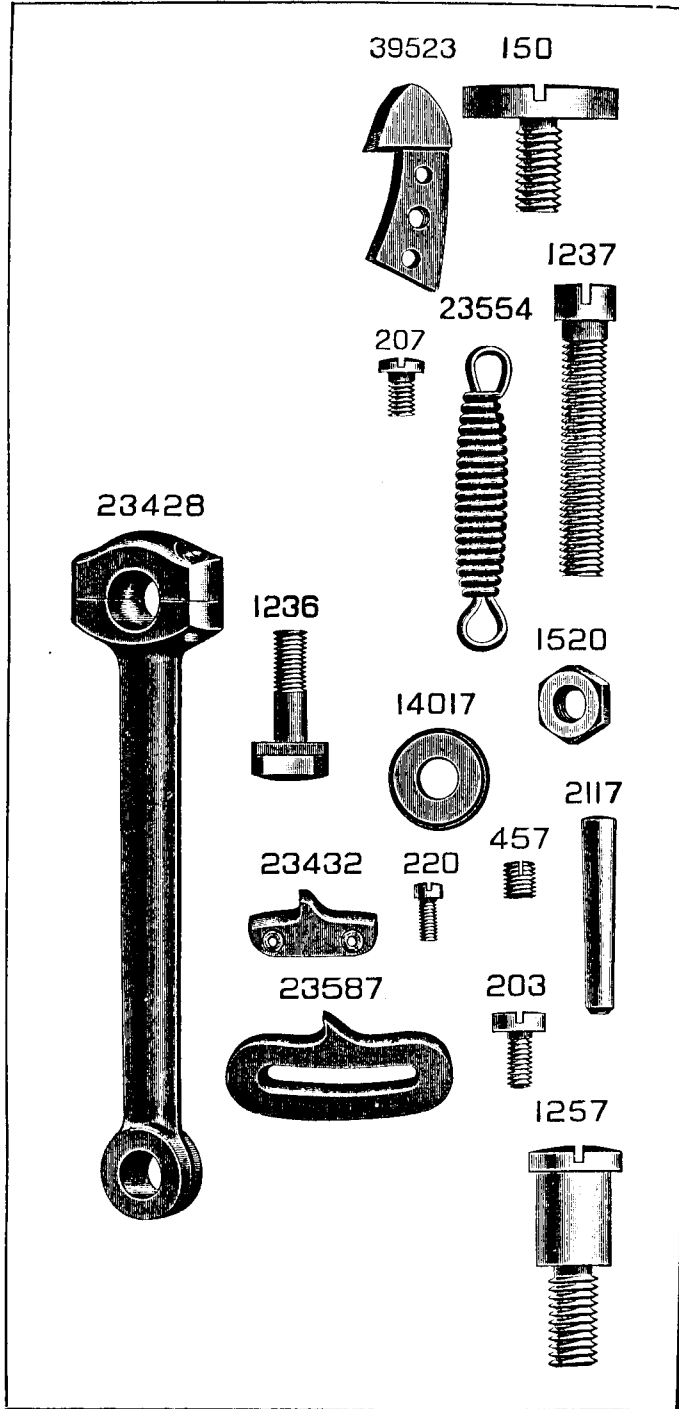


PLATE 4013—FULL SIZE

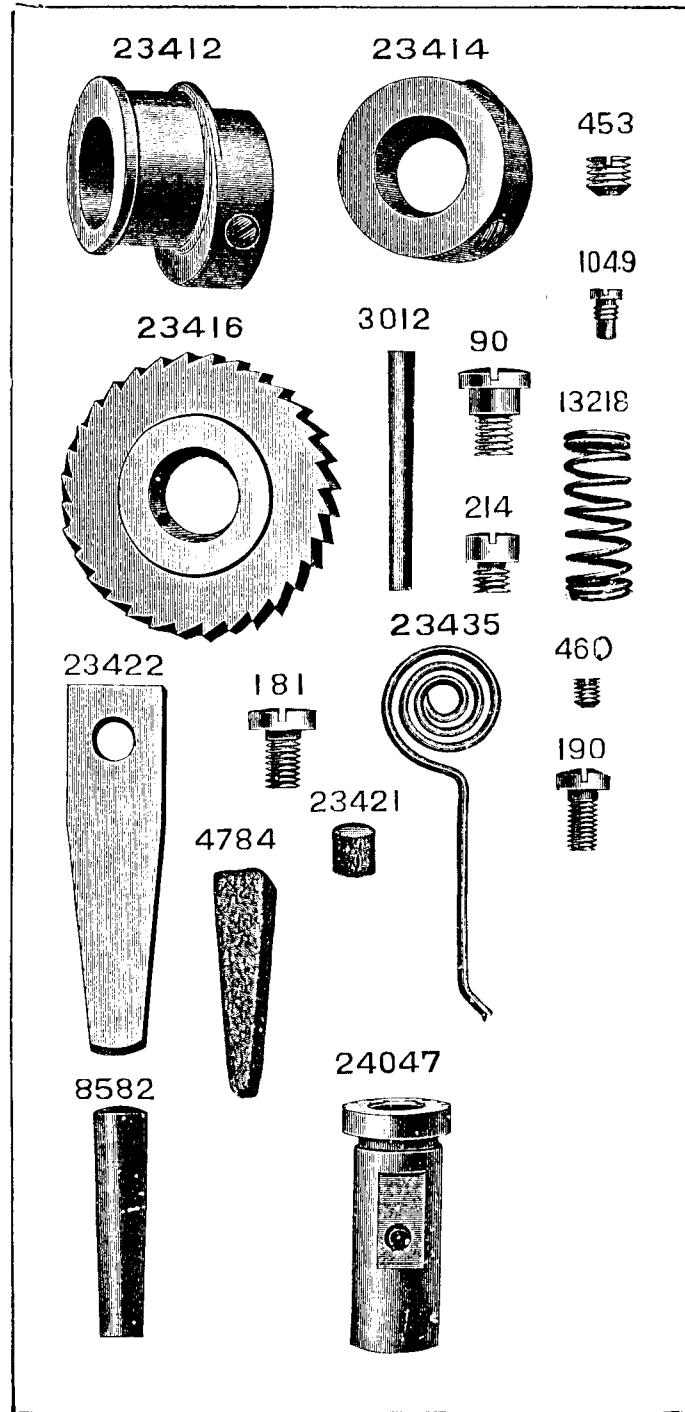


PLATE 4014—FULL SIZE

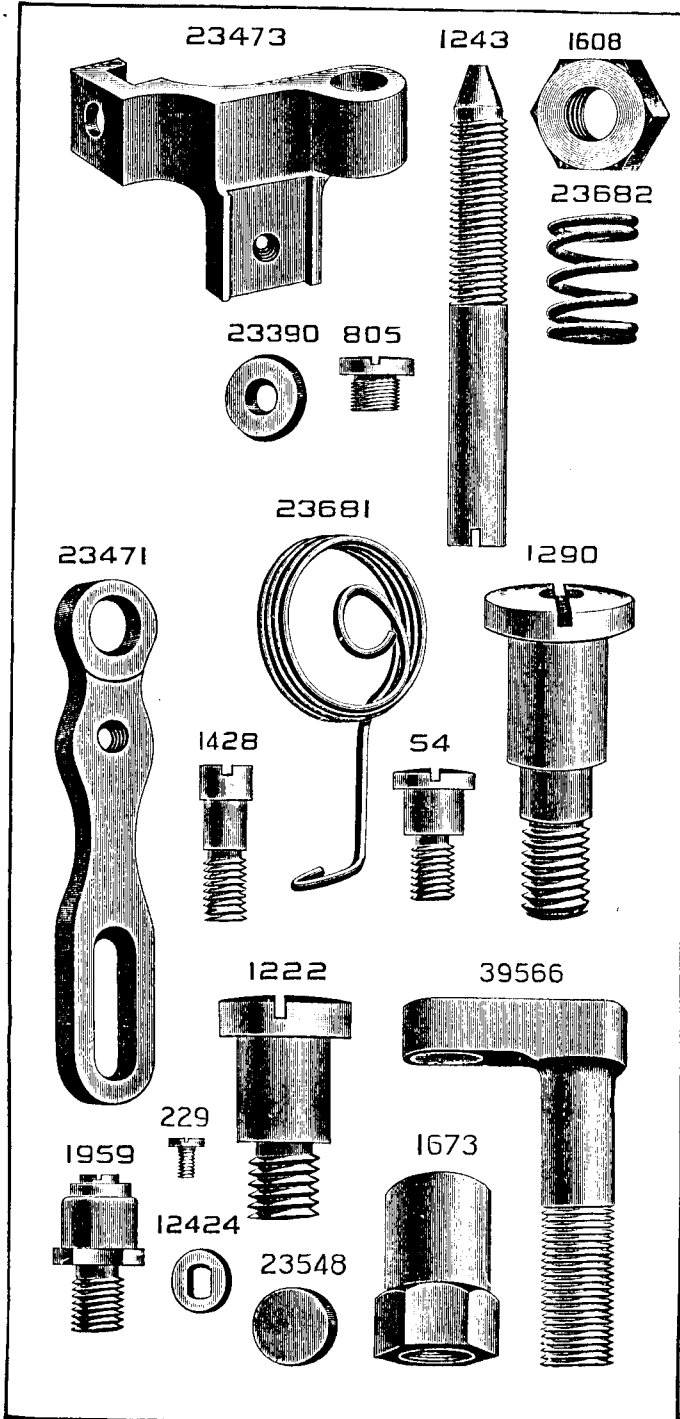


PLATE 4015—FULL SIZE

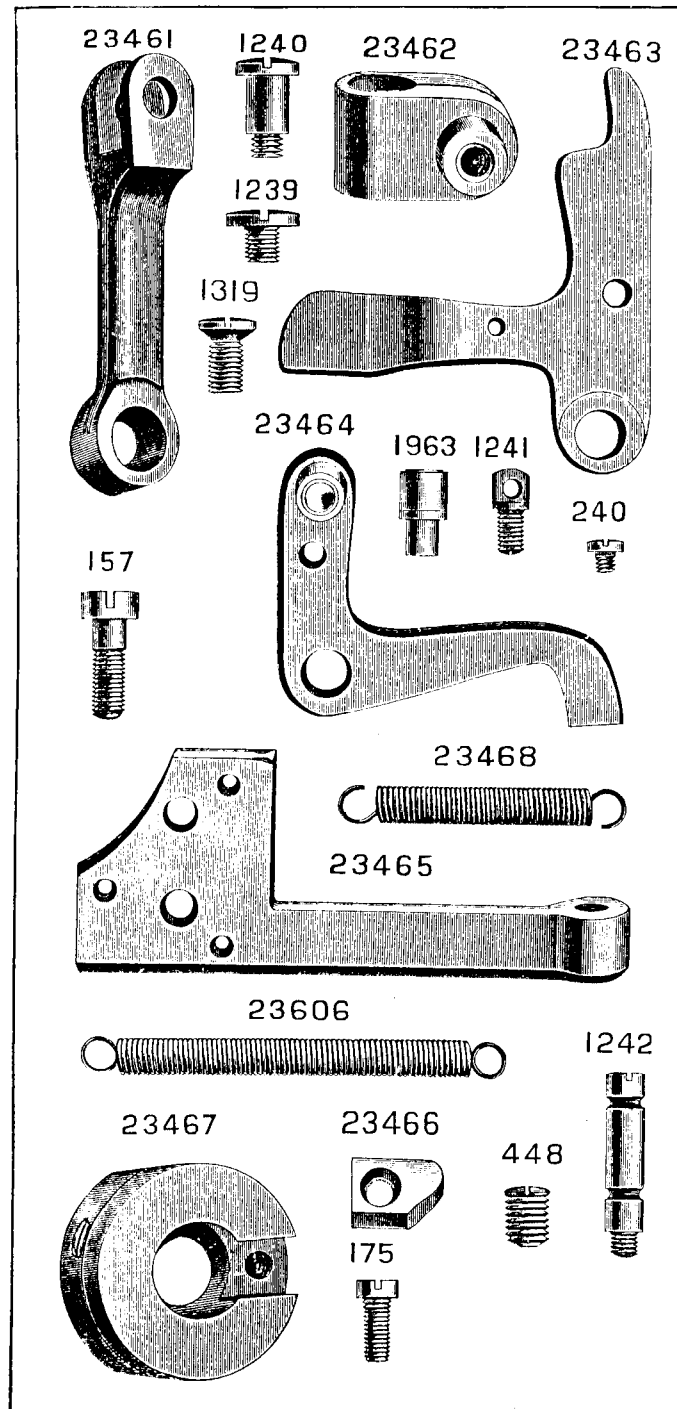


PLATE 4020—FULL SIZE

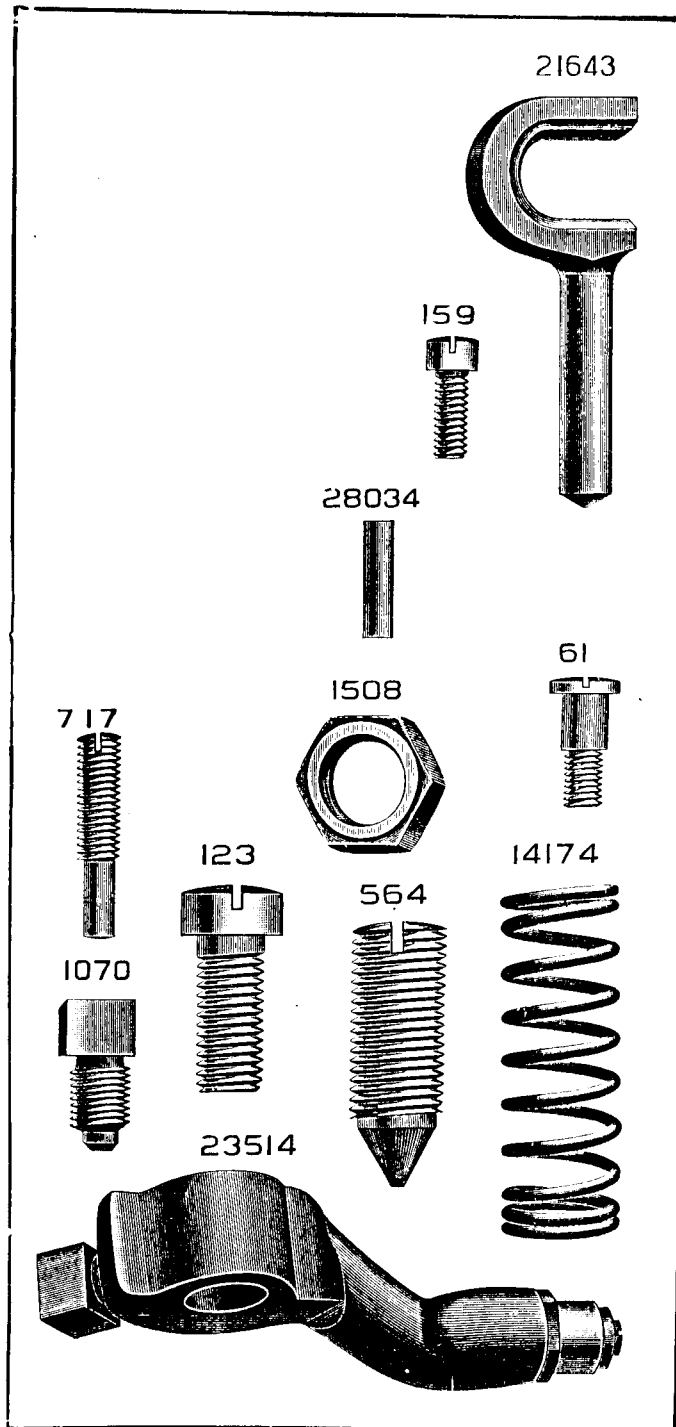
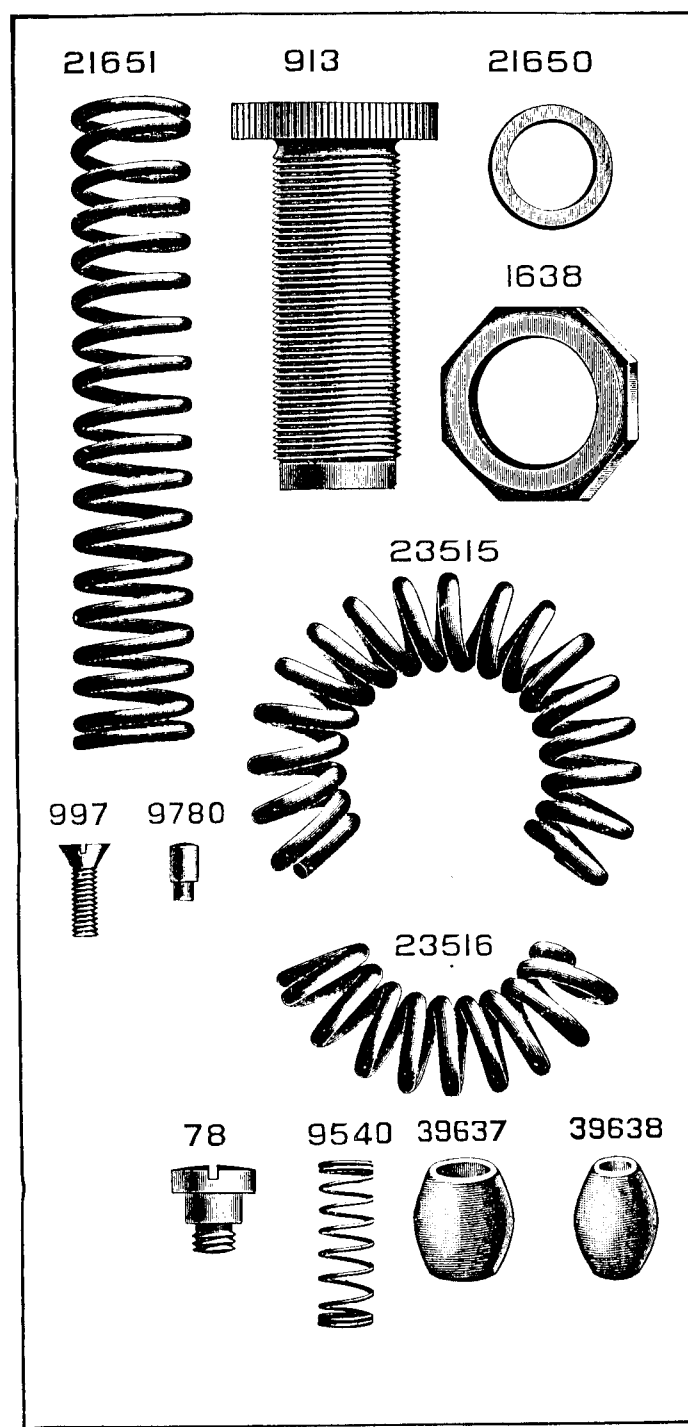


PLATE 4021—FULL SIZE



From the library of: Diamond Needle Corp

PLATE 4024—FULL SIZE

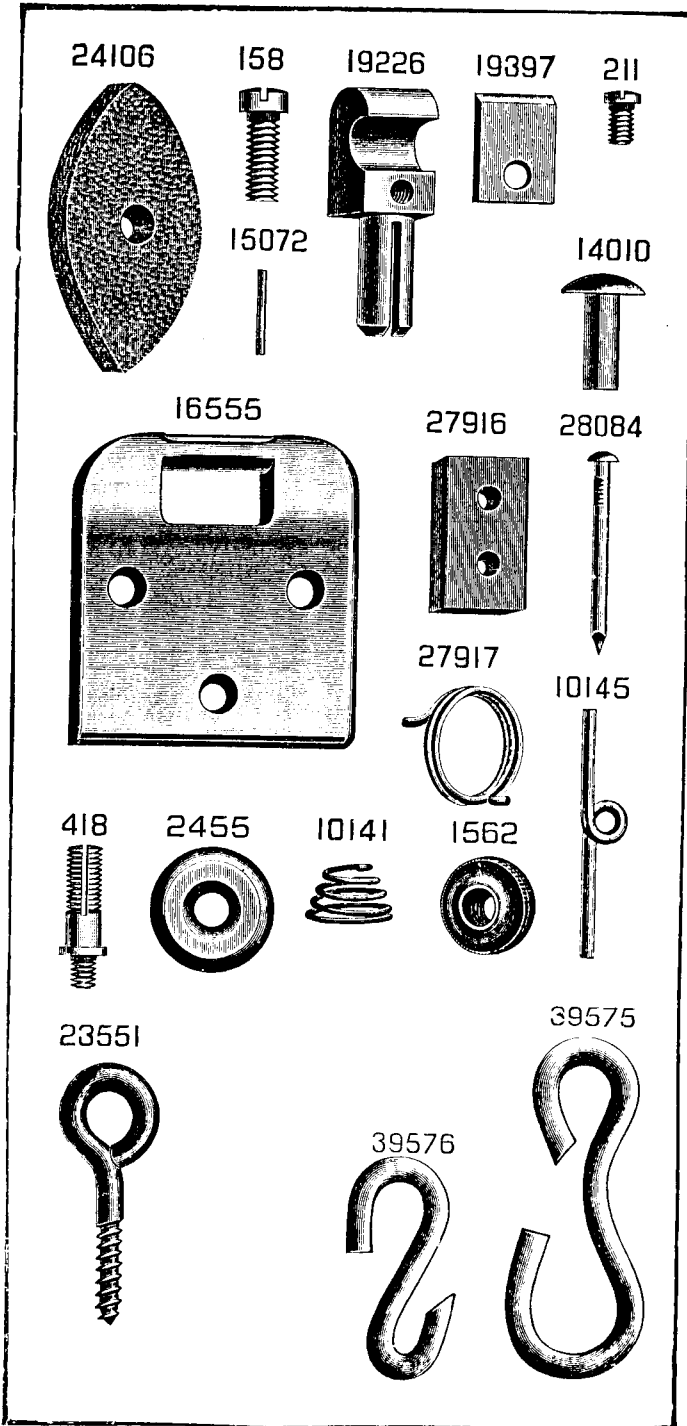


PLATE 4025—FULL SIZE

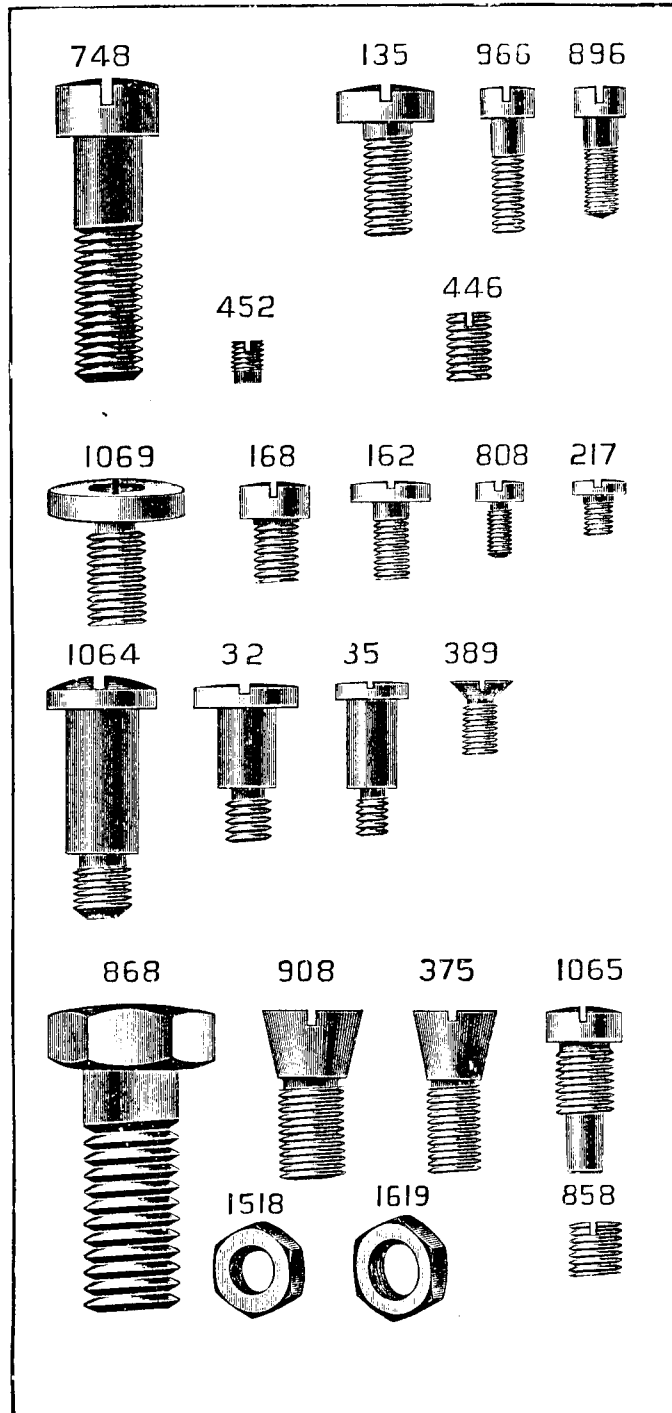


PLATE 4028—ONE-HALF SIZE

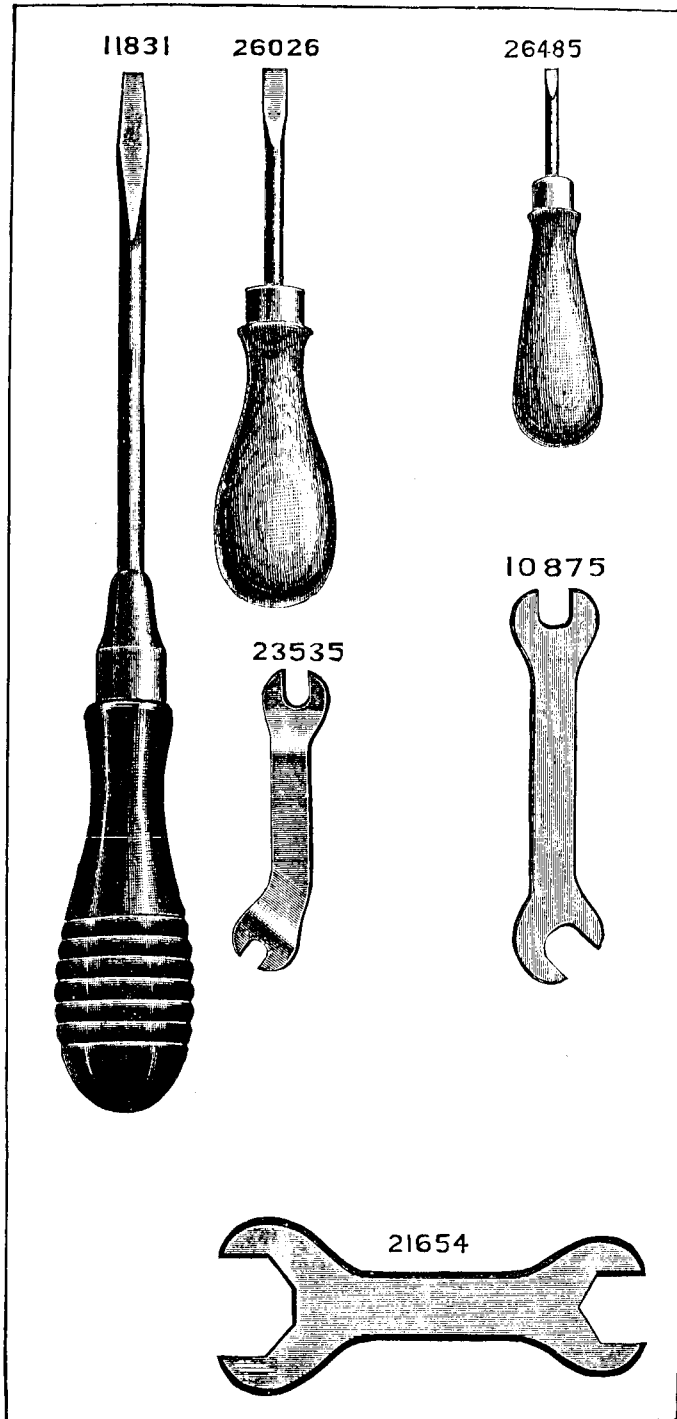
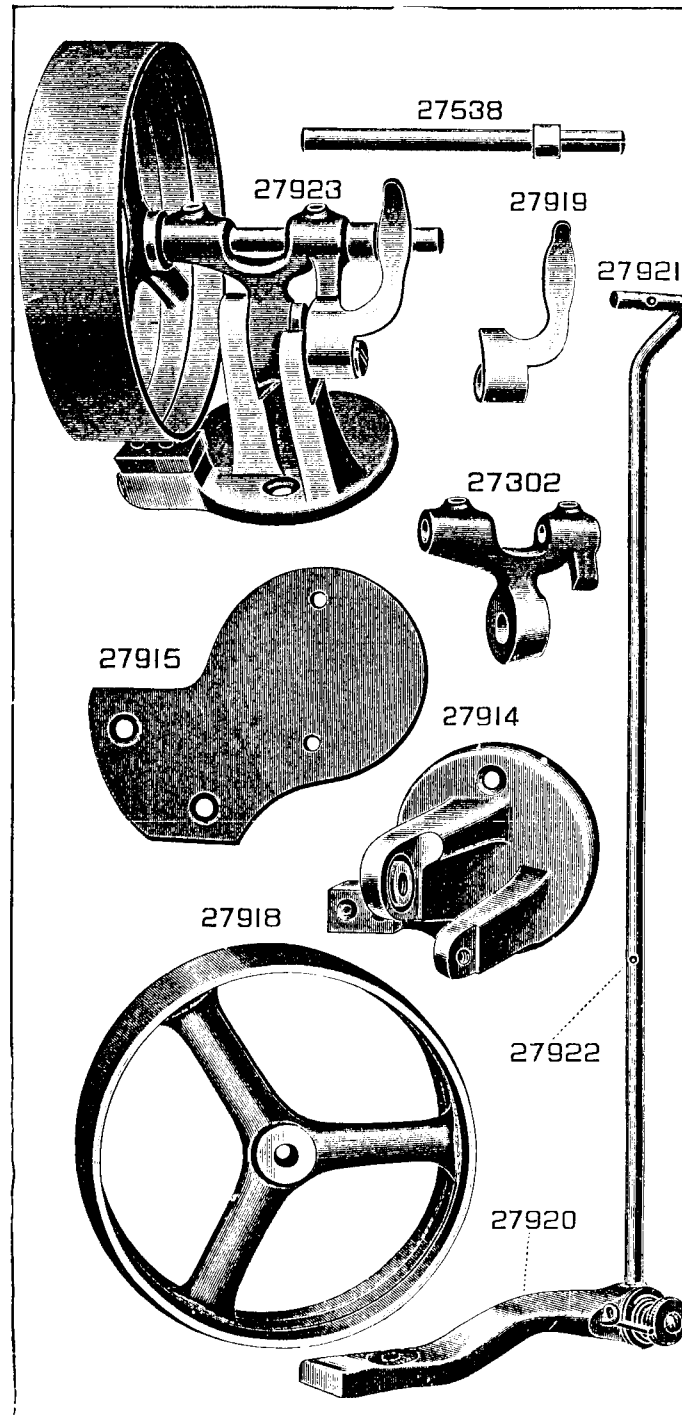


PLATE 4029—ONE-HALF SIZE



From the library of: Diamond Needle Corp

PLATE 4047—ONE-FOURTH SIZE

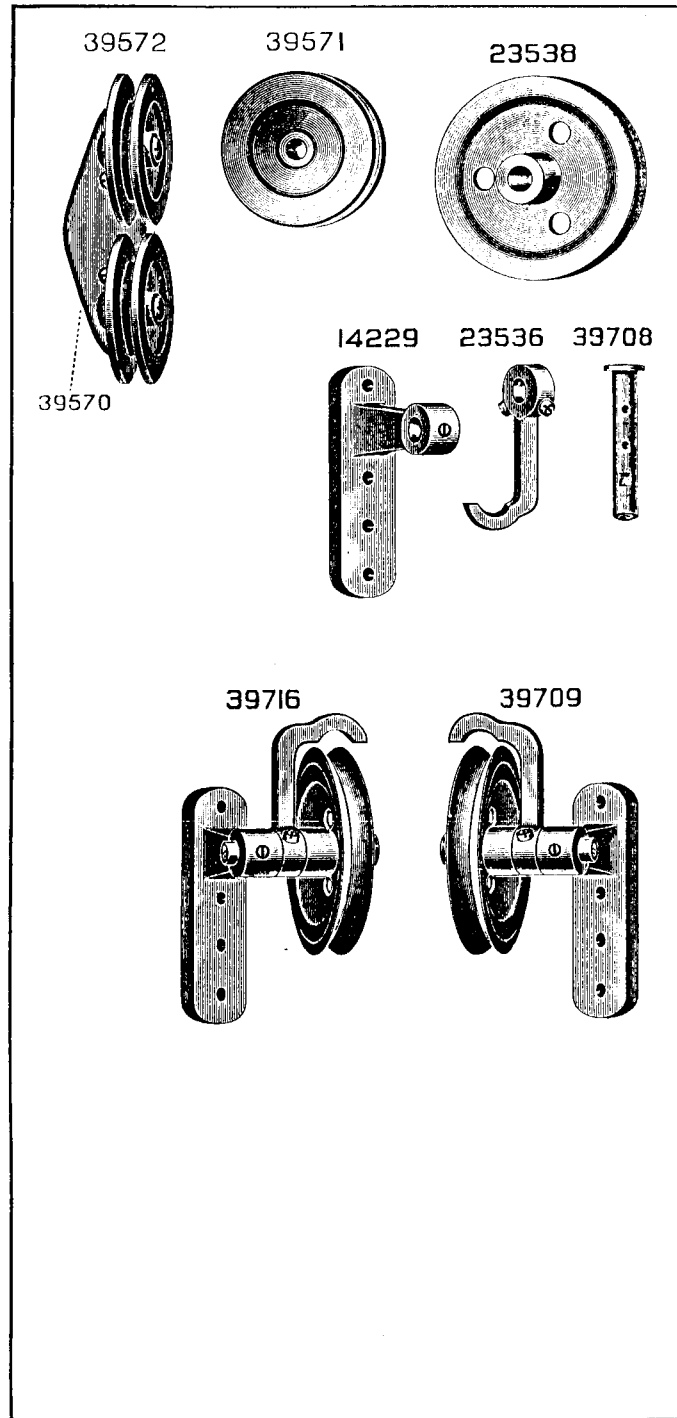


PLATE 4053—ONE-HALF SIZE

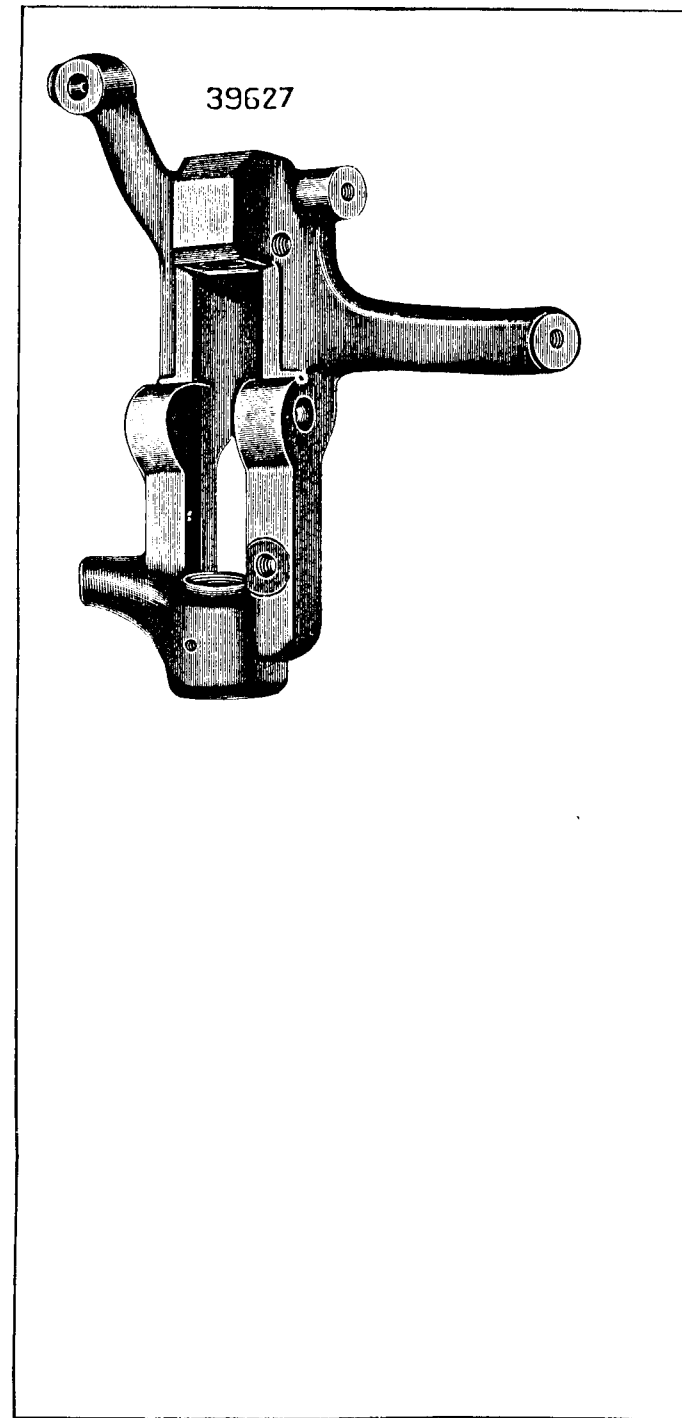


PLATE 4055—ONE-HALF SIZE

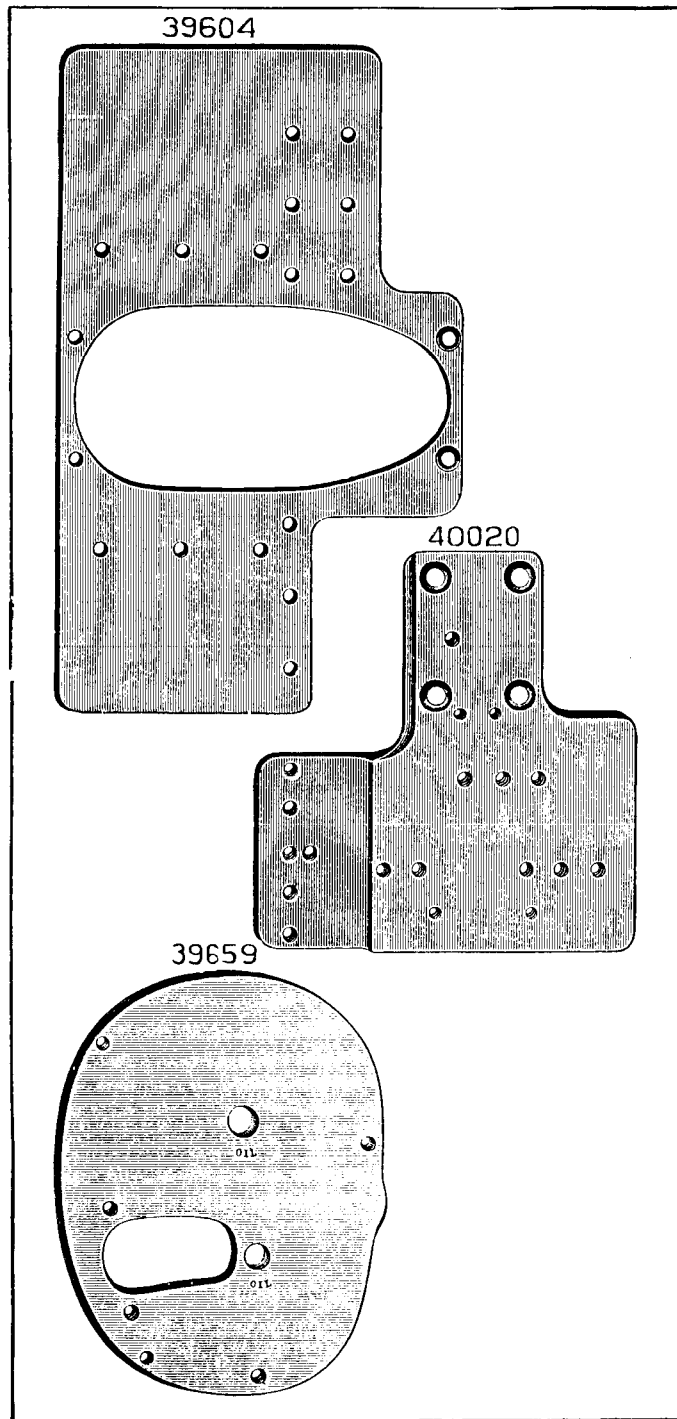
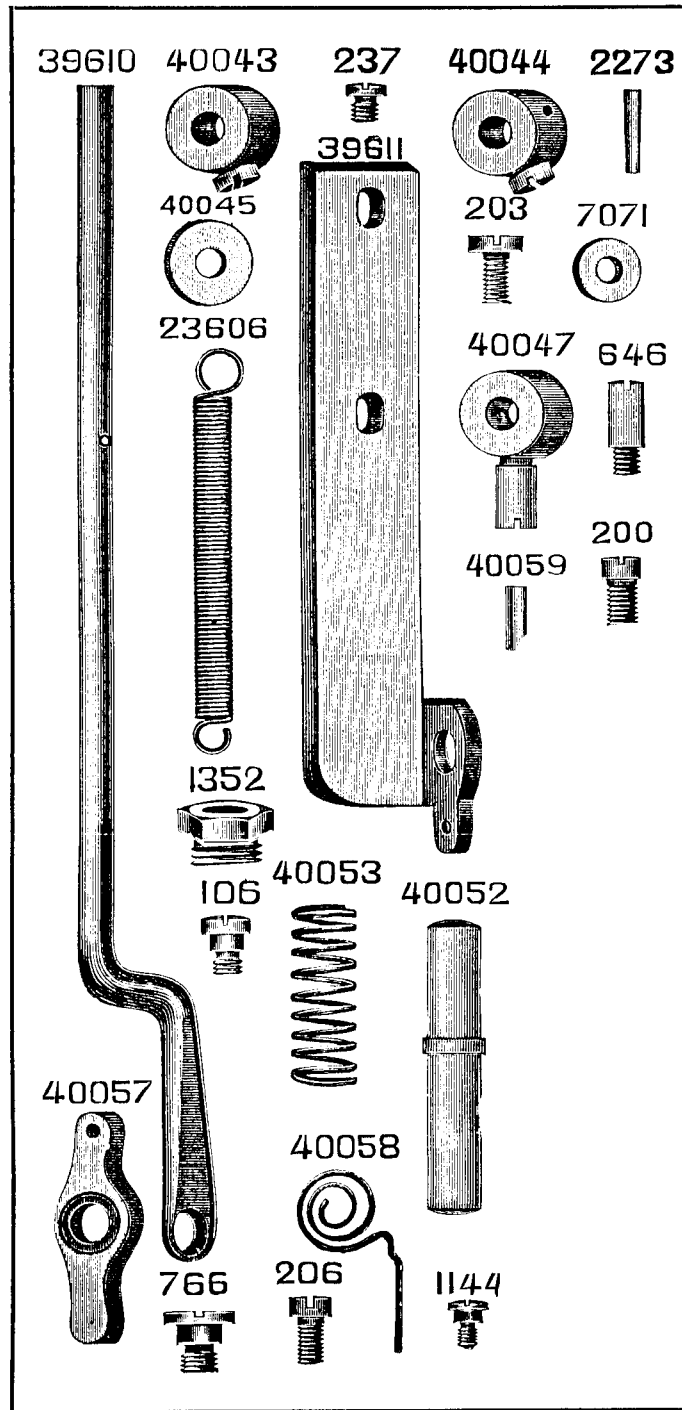


PLATE 4057—FULL SIZE



From the library of: Diamond Needle Corp

PLATE 4058—FULL SIZE

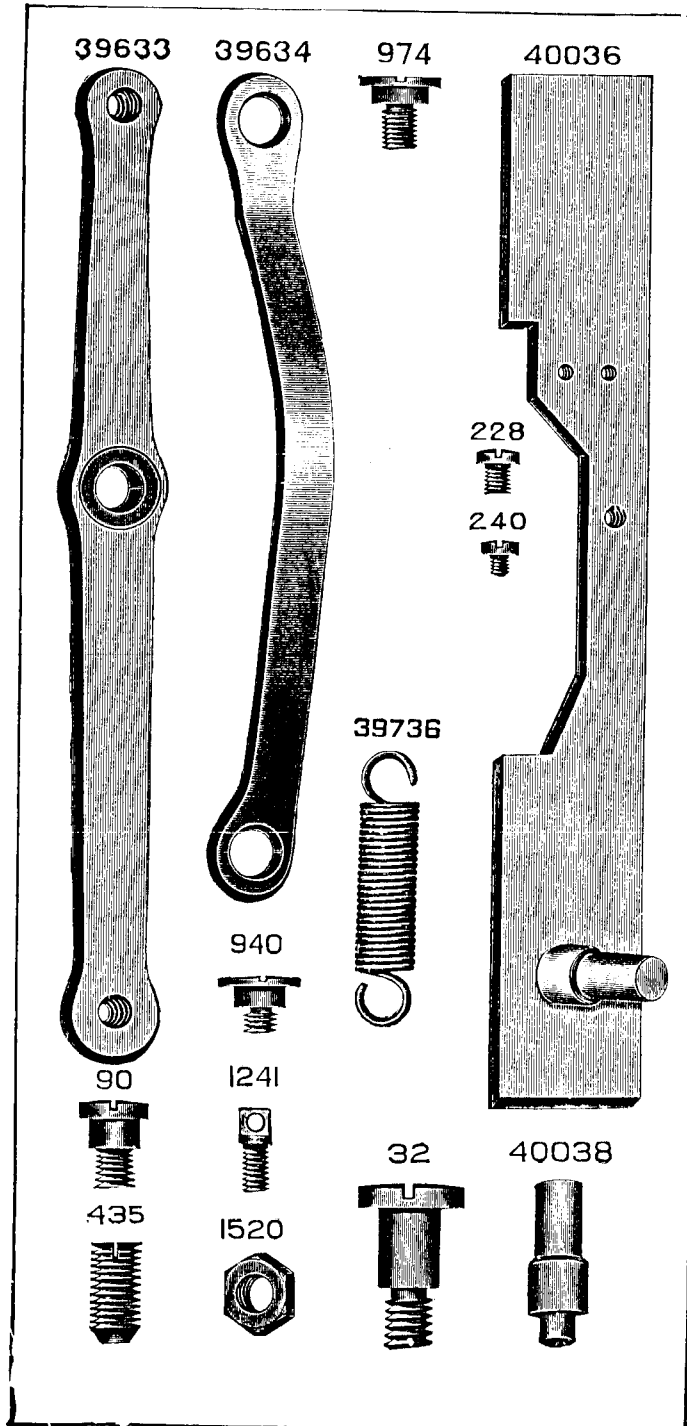
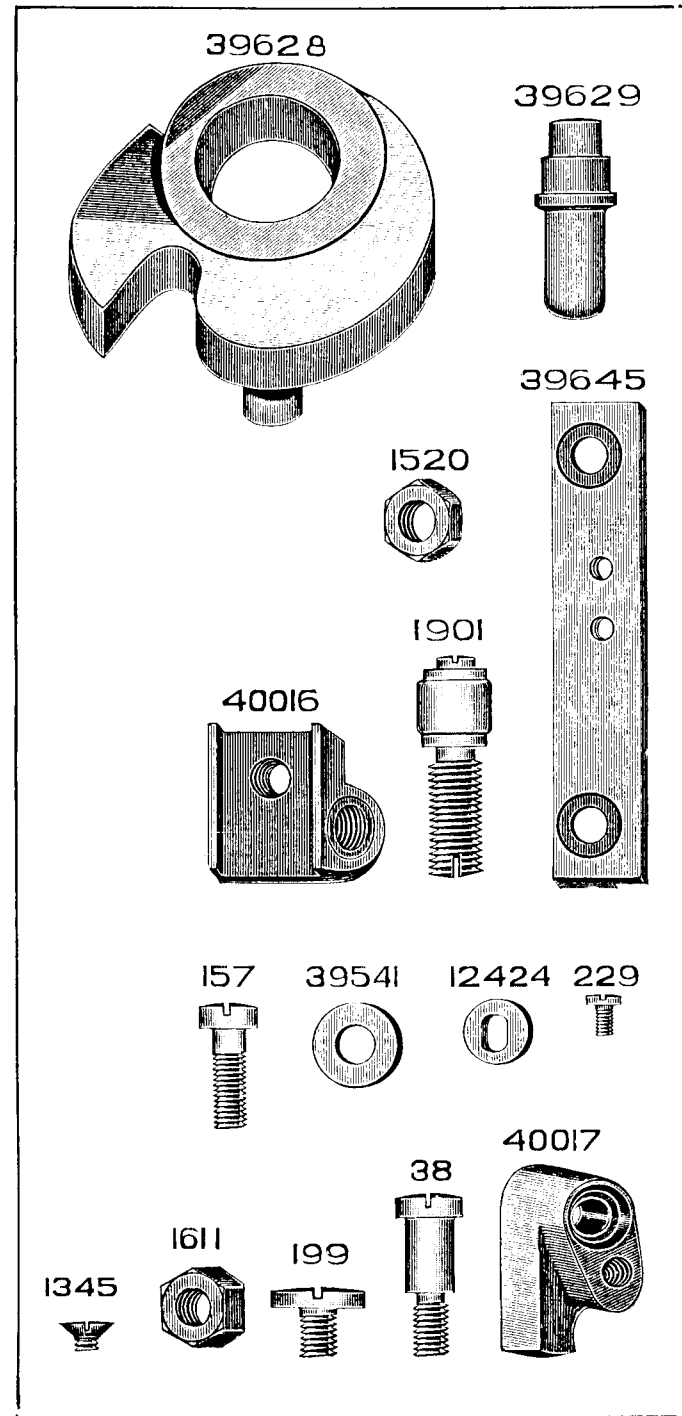


PLATE 4059—FULL SIZE



From the library of: Diamond Needle Corp

PLATE 4082—ONE-FOURTH SIZE

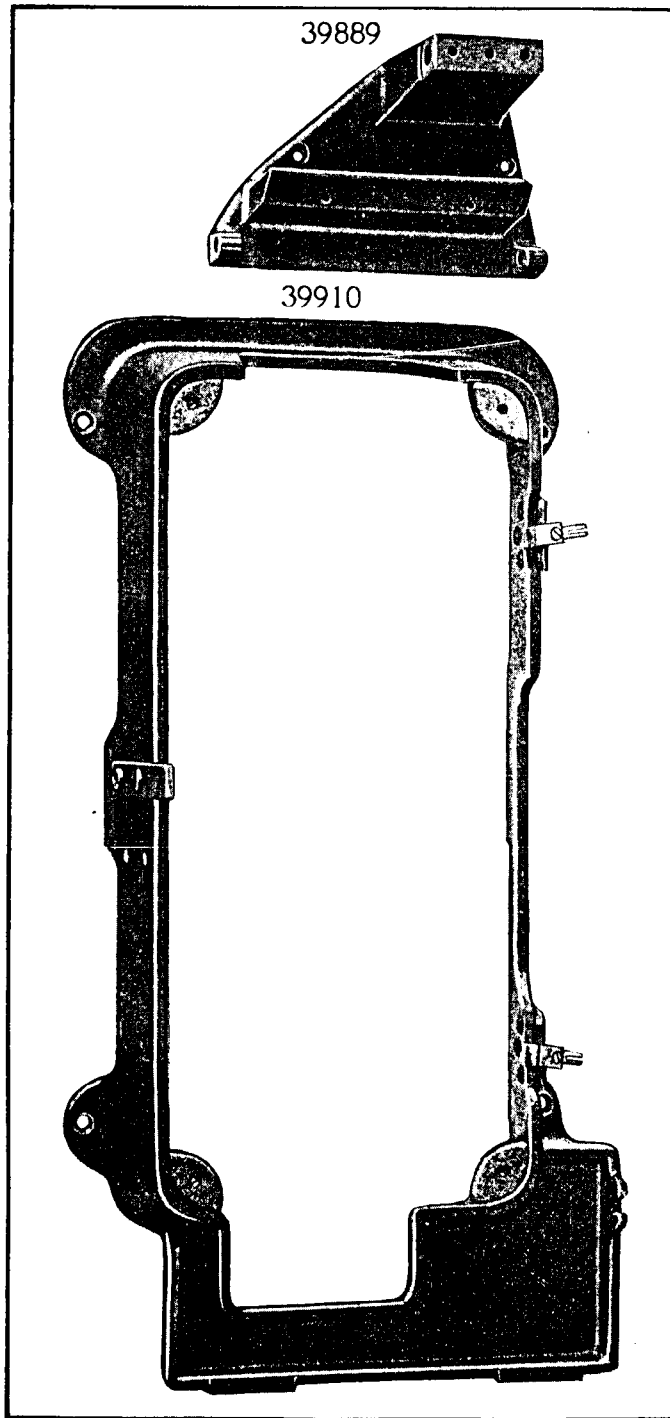
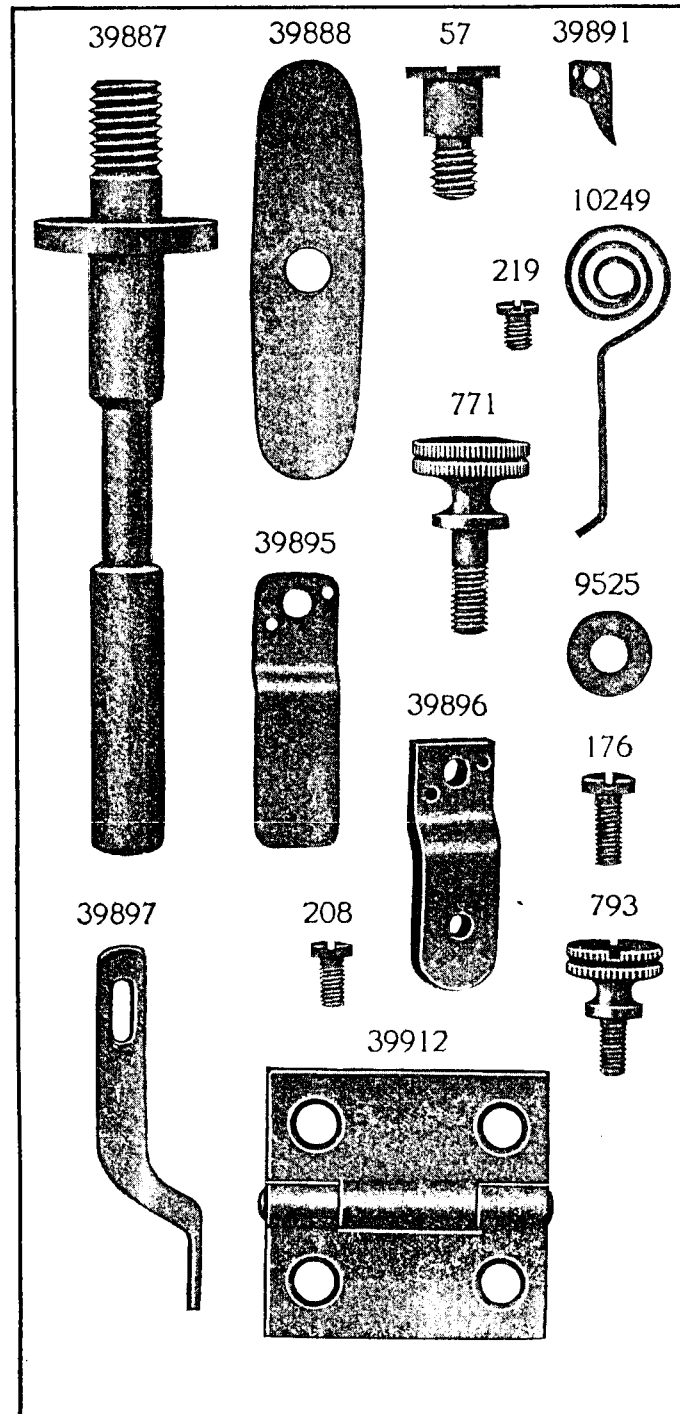


PLATE 4083—FULL SIZE



From the library of: Diamond Needle Corp

PLATE 4084—ONE-FOURTH SIZE

39911

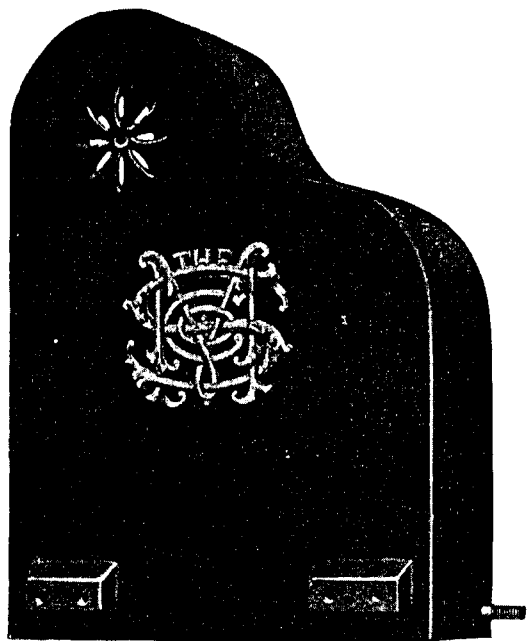


PLATE 4086—ONE-HALF SIZE

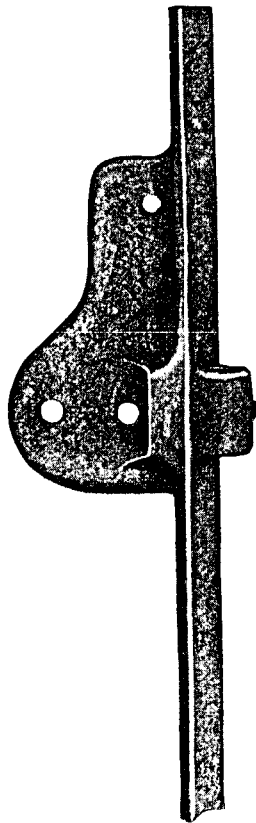
39890



39894



39892



39893



From the library of: Diamond Needle Corp

PLATE 4098—FULL SIZE

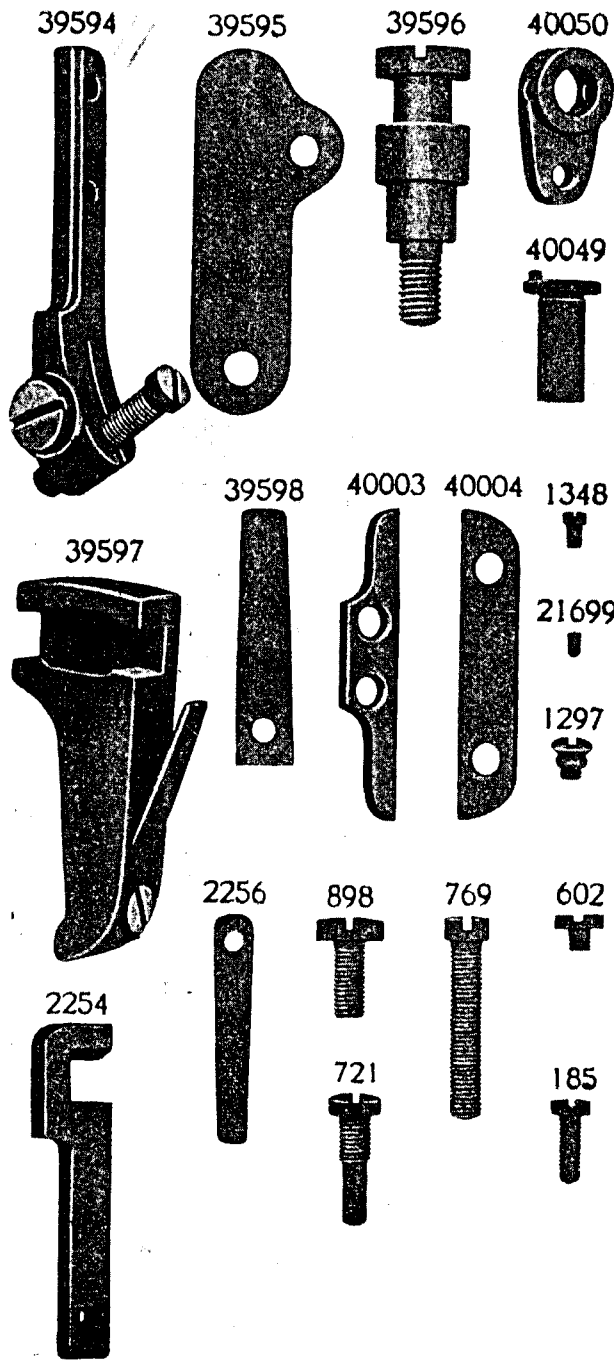
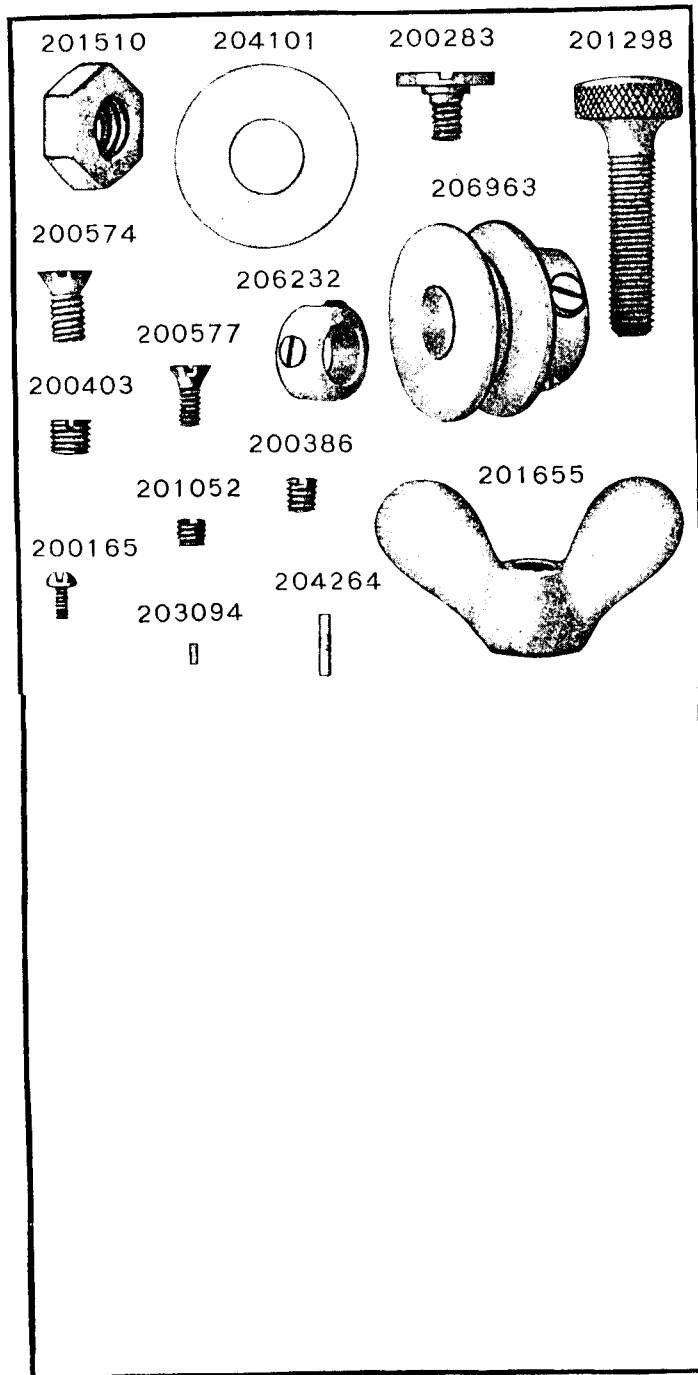


PLATE 11658—FULL SIZE



From the library of: Diamond Needle Corp

PLATE 14263—ONE-SIXTH SIZE

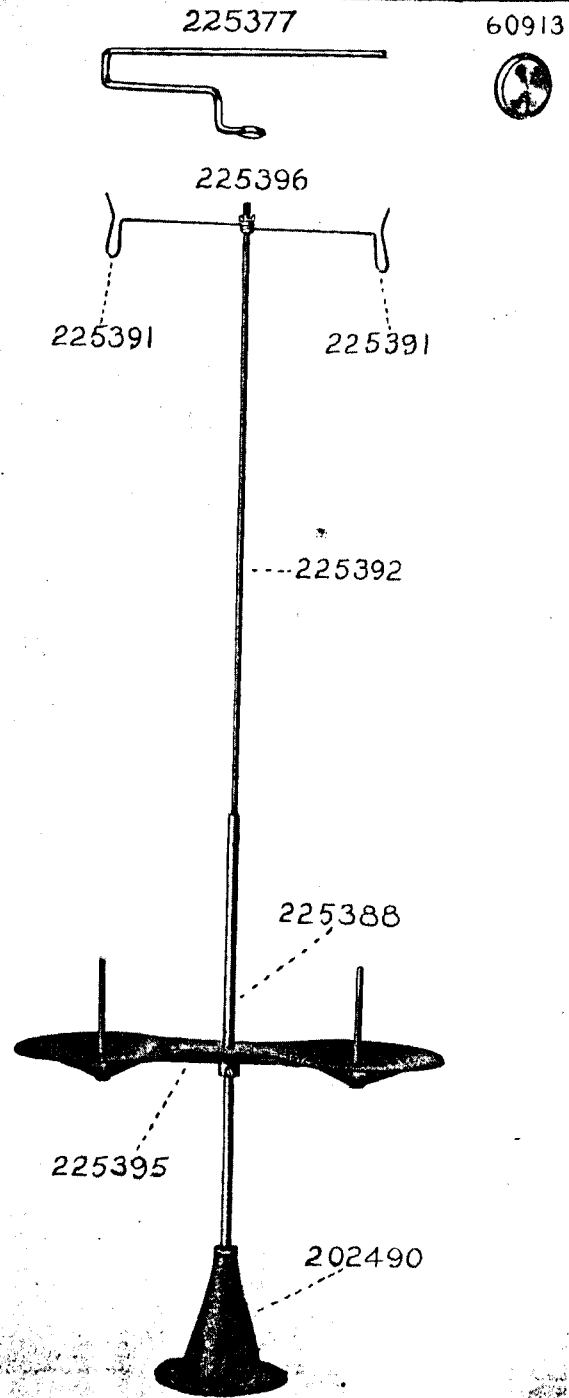


PLATE 14969—ONE-FOURTH SIZE

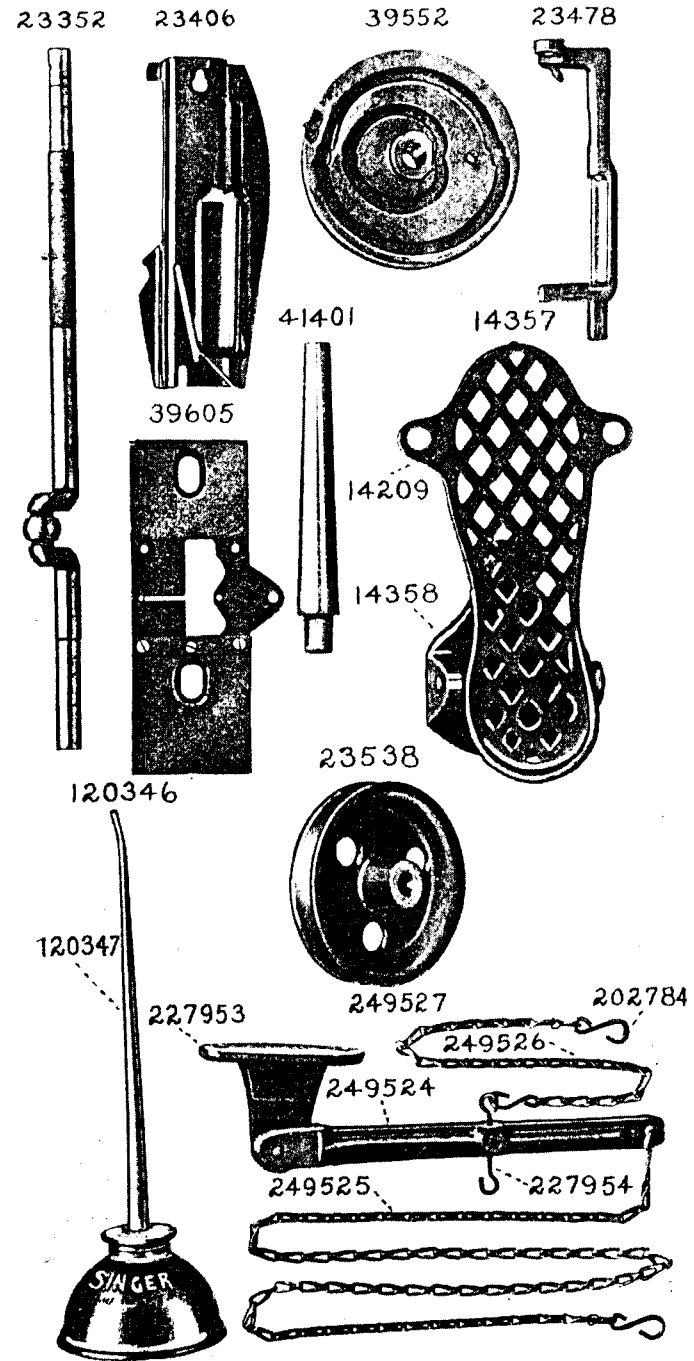


PLATE 14970—ONE-HALF SIZE

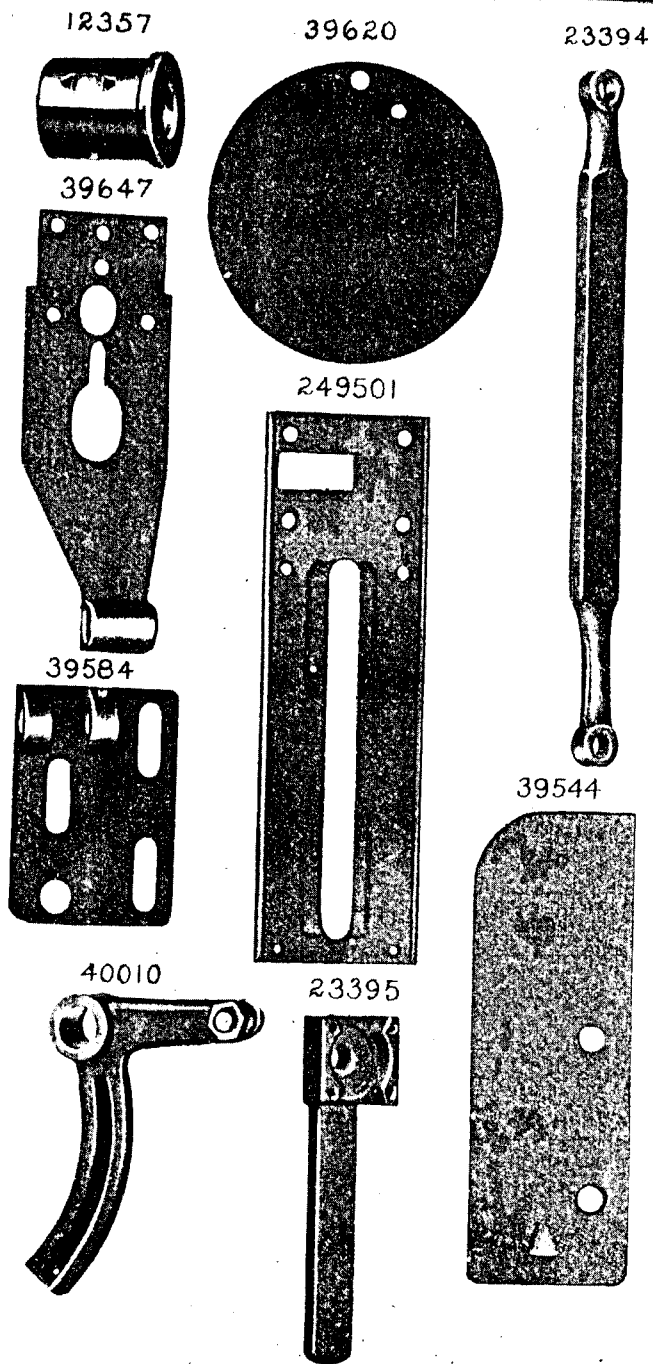
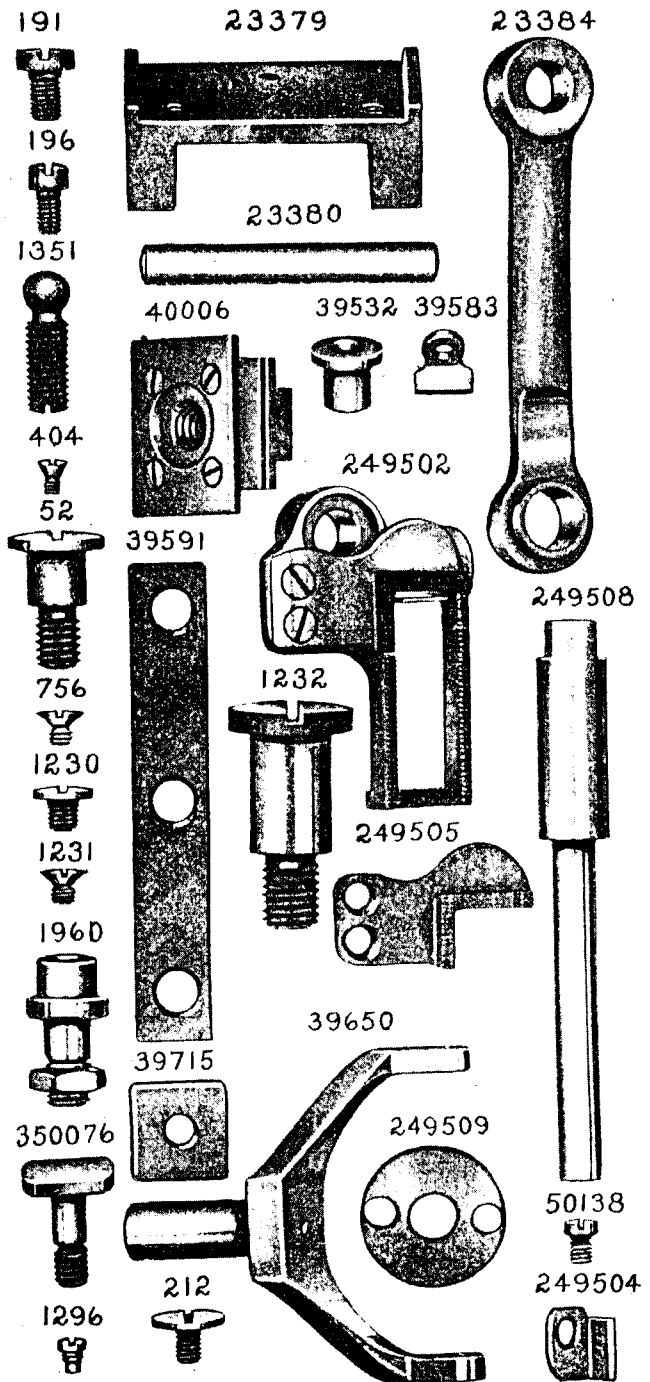


PLATE 14971—FULL SIZE



From the library of: Diamond Needle Corp

PLATE 14972—ONE-HALF SIZE

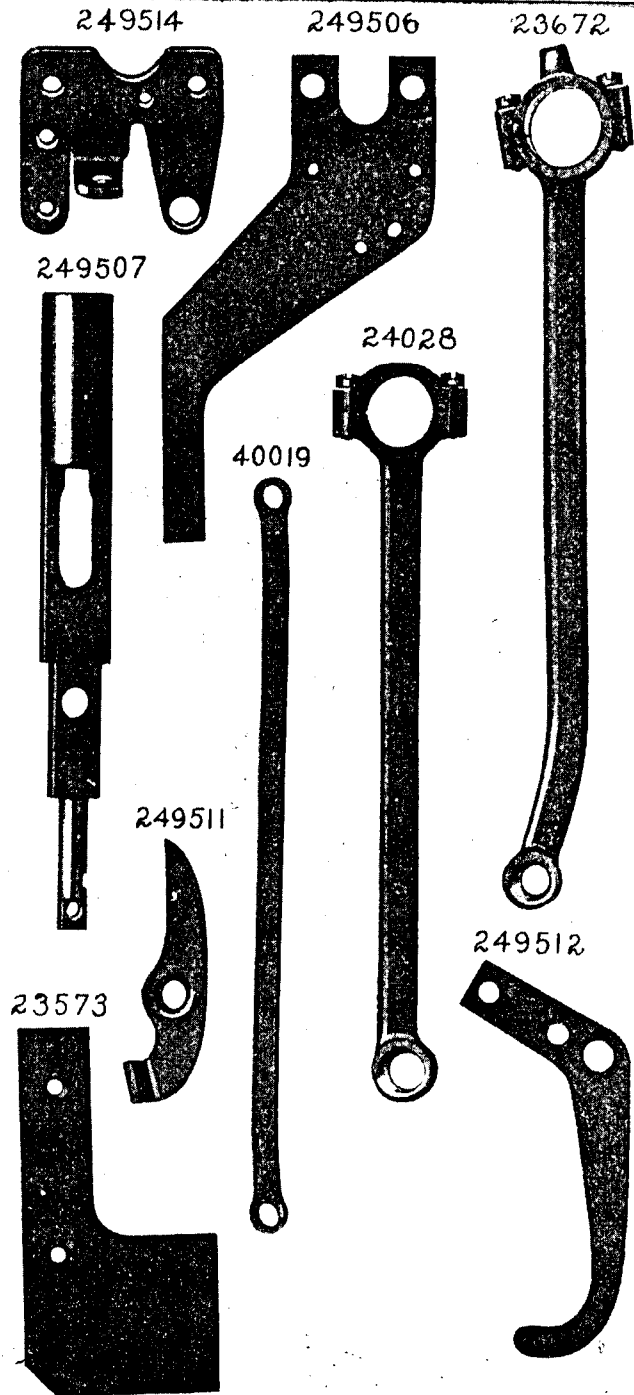


PLATE 14973—FULL SIZE

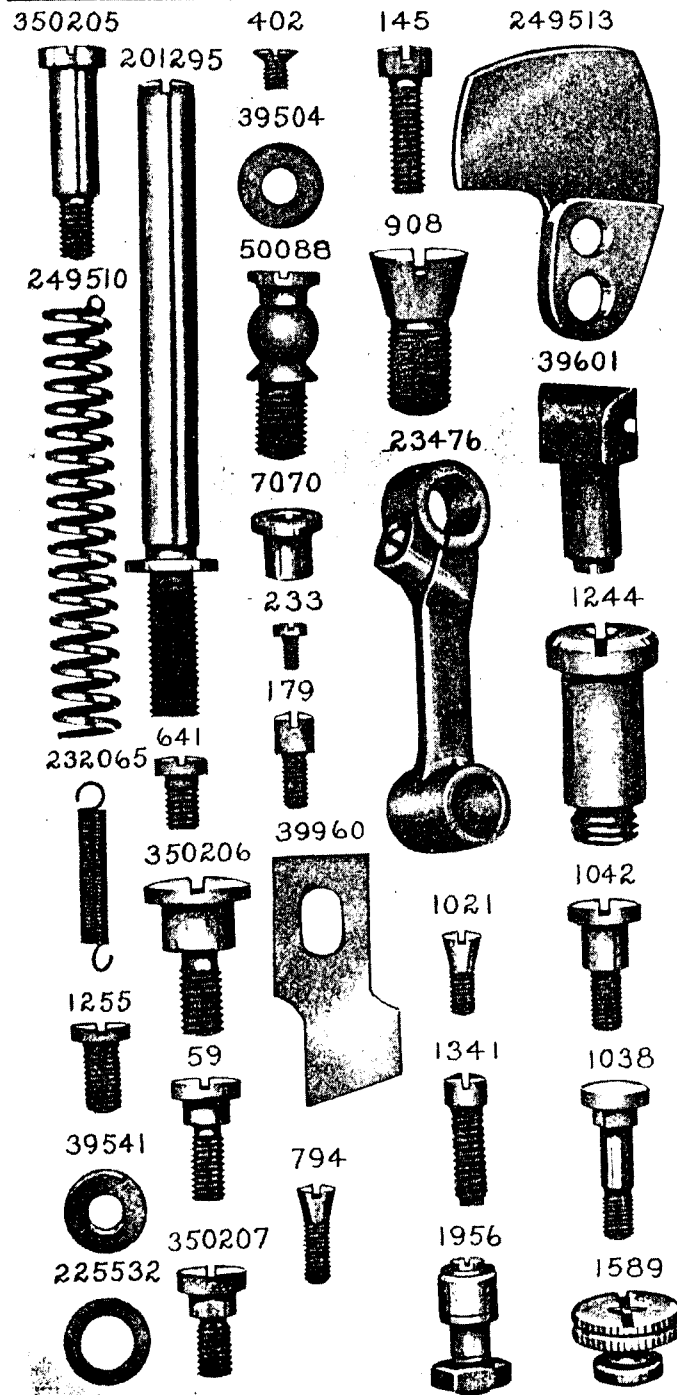


PLATE 14974—ONE-HALF SIZE

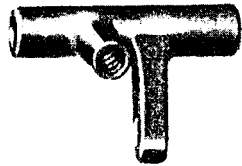
23413



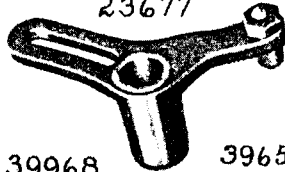
39522



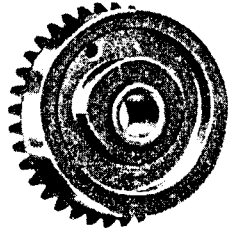
23418



23677



39968



39655



39600



23676



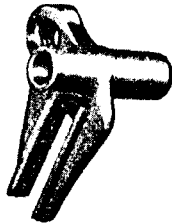
39967



23420



39653

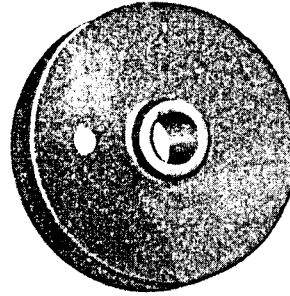


23494



PLATE 14975—ONE-HALF SIZE

23497



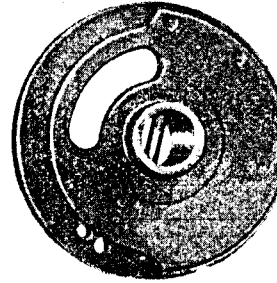
23511



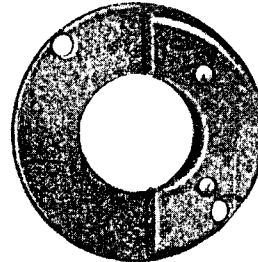
39580



39927



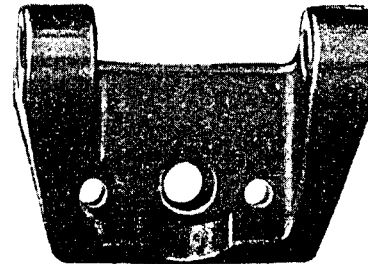
23517



23499



23510



From the library of: Diamond Needle Corp

PLATE 14976—ONE-HALF SIZE

40051



40067



40037



40054



249519

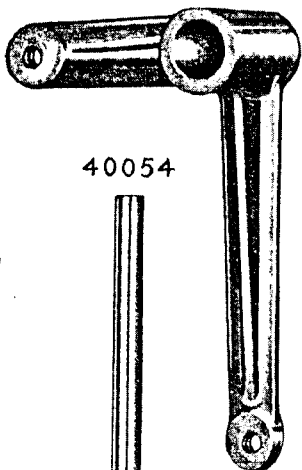


PLATE 14977—FULL SIZE

1655



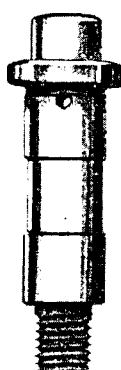
23389



673



23667



1517



904



1253



1035



592



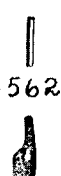
249516



40025



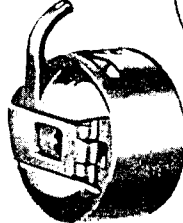
2974



15628



39991



39656



1636



19448



15140



2973



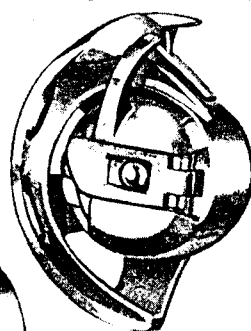
2975



2523



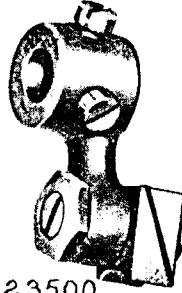
39993



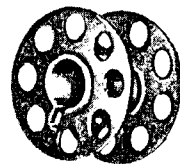
226



39658



23500



39992



39623



From the library of: Diamond Needle Corp

PLATE 14978—FULL SIZE

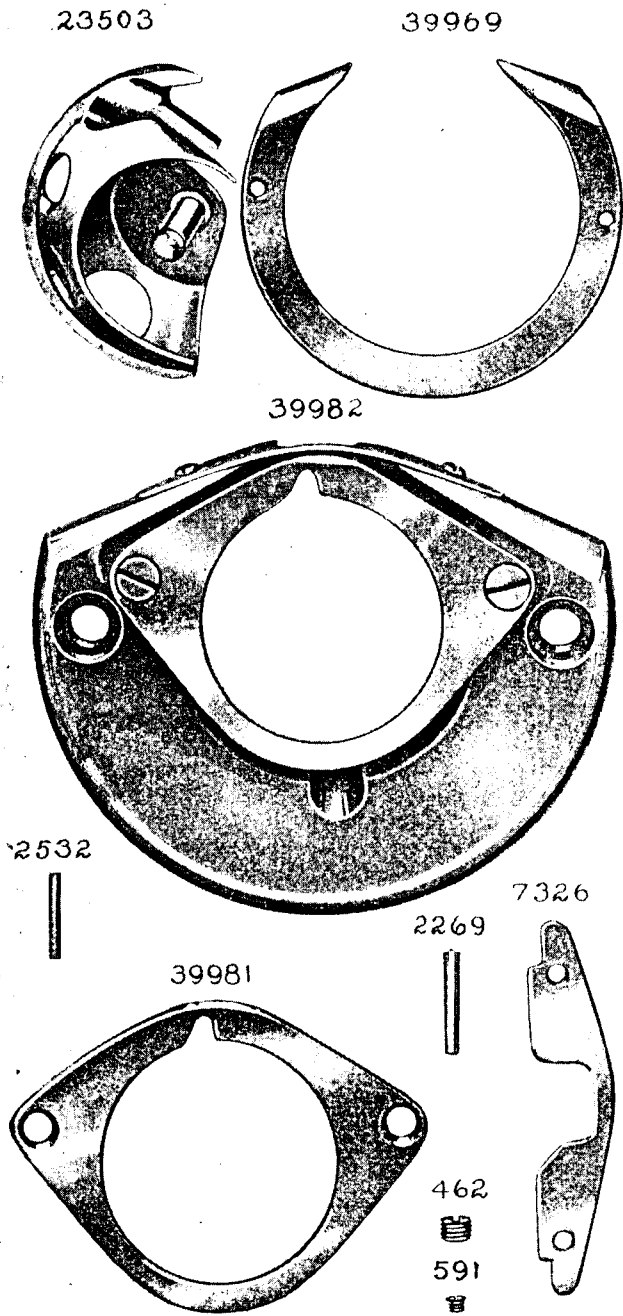
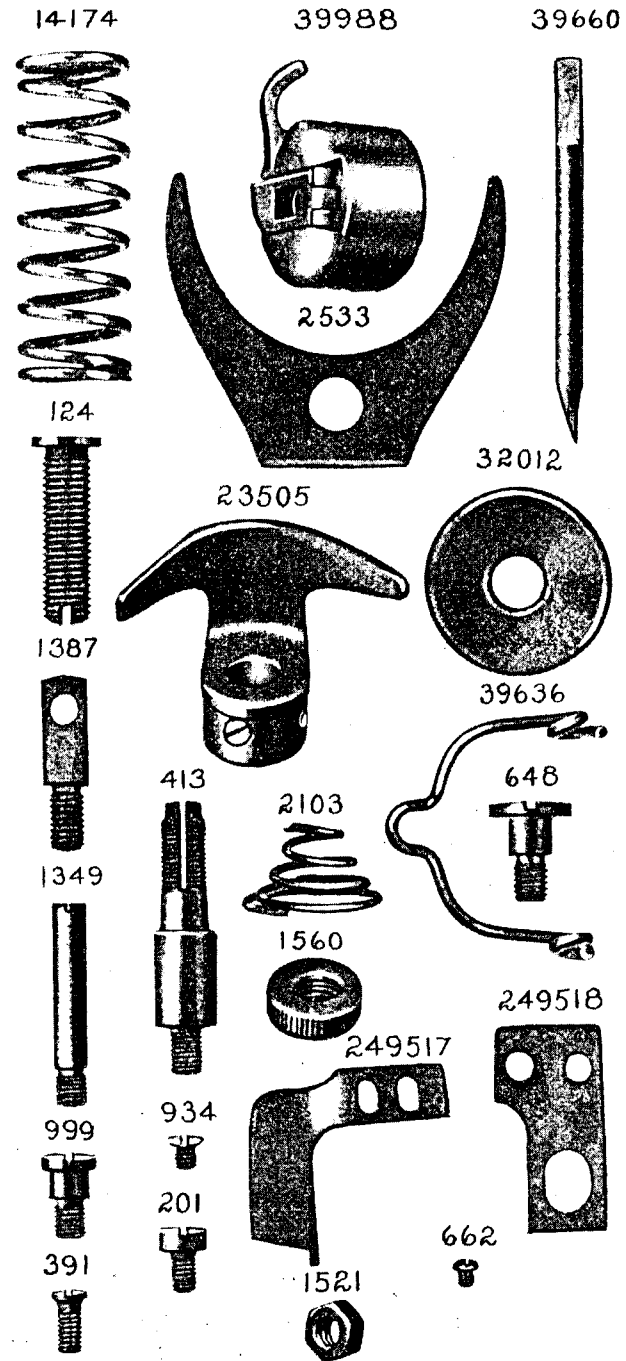


PLATE 14979—FULL SIZE



From the library of: Diamond Needle Corp

PLATE 14980—FULL SIZE

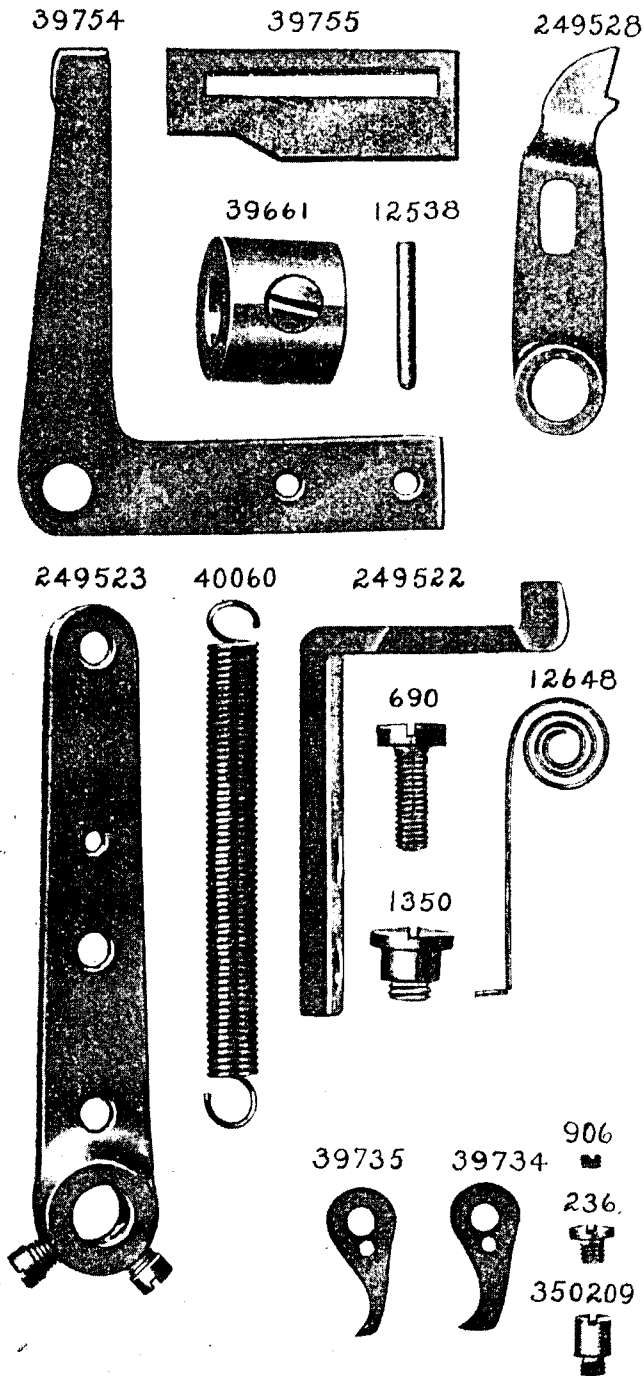
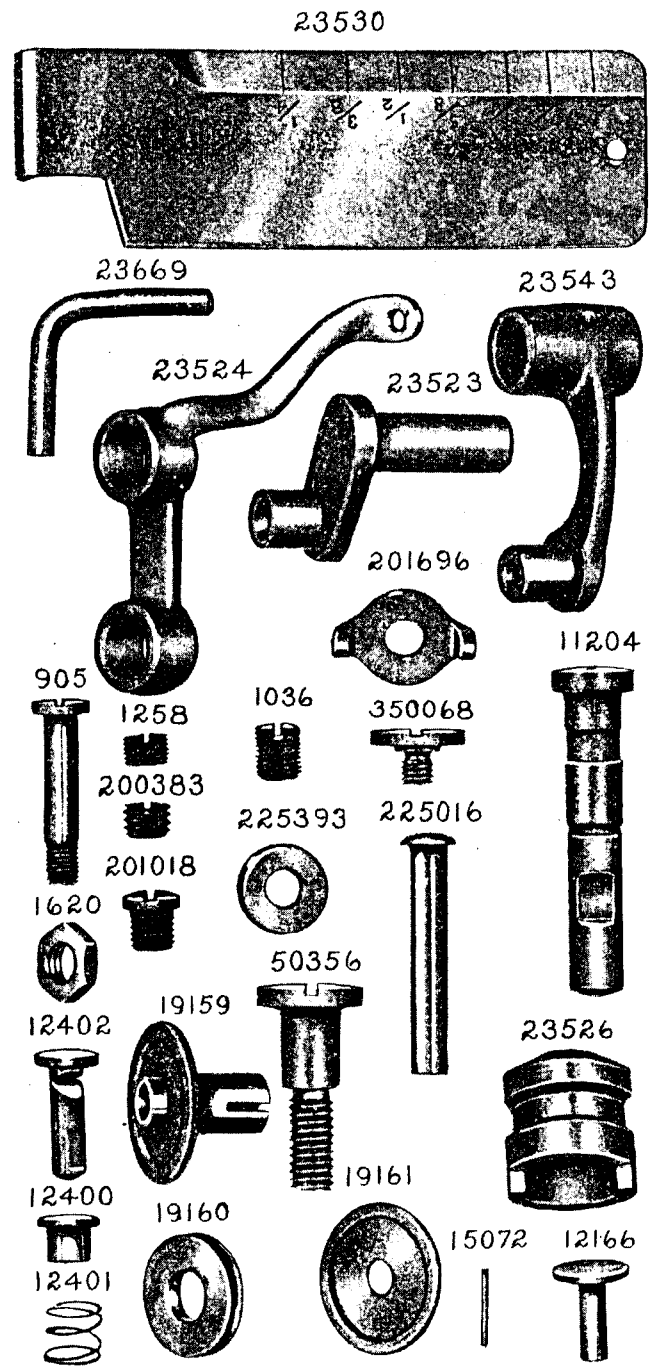


PLATE 14981—FULL SIZE



From the library of: Diamond Needle Corp